

storage capacities & media filing

maine



Maineseries31

The pitch system
one pitch = 31mm
vertical height

Maine has a wide range of complete units which can be easily specified and ordered from our specification leaflets and guides. These units fulfill conventional filing requirements within a modern office.

If you require units to your own specification, Maineseries31 can provide a flexible and varied solution, building a filing and storage unit from standard parts.

All Maine units are stackable and the horizontal lines align, for example when a 20 pitch unit and a 30 pitch unit are stacked together, then positioned next to a 52 pitch unit, they will align horizontally (the 2 extra pitches are utilised by the stacking trays).

Maineseries31 has 59 basic shell heights starting at 341mm high, which rise in 31mm increments up to 2139mm. The available widths are 800mm, 900mm, 914mm, 1000mm and 1067mm.

Drawer and flipper/receding door heights also fit within the pitch system of 31mm increments. These start at a height of 124mm/4 pitch and end at a height of 434mm/14 pitch, a total of 11 different heights are available.

Using the pitch system

Examples A 1302mm high unit is a 40 pitch basic shell which can be fitted with
10 x 4 pitch drawers (124mm) = 40 pitches
5 x 8 pitch drawers (248mm) = 40 pitches
or for the same 1302mm unit
2 x 14 pitch (434mm) = 28 pitches + 1 x 12 pitch (372mm) = 40 pitches

Mathematically pure pitch system

Every Maine basic shell works efficiently and effectively within the pitch system, there are no anomalies and it allows clients to specify exactly what they require.

Mainstream

Our Mainstream modular system also allows for a variety of interchangeable components such as drawers, cupboard doors and tambours all within a basic shell. The ability to be modular creates an efficient and streamlined result.

Filing & retrieval

Maine has an experienced, storage and filing team, who can undertake a detailed filing and retrieval audit. A full review of document management and media storage and filing is analysed. This service is utilised by architectural practices, designers and clients in order to create the most efficient and cost effective storage and filing solution.

Maine's modular design allows for units to be ganged and stacked together across all their product ranges, which creates an effective and efficient use of space.

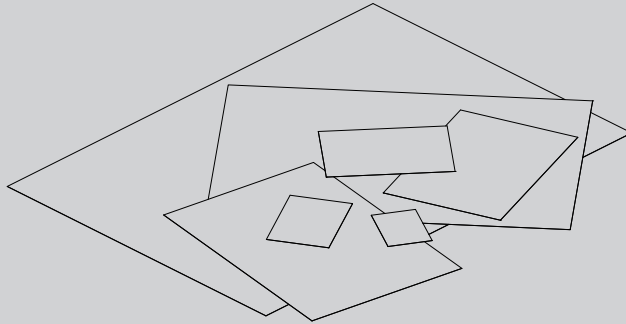
Maine's units can accommodate heavy loading capacities, in excess of figures quoted by major competitors. Maine units are tested to the highest performance levels.



Paper sizes

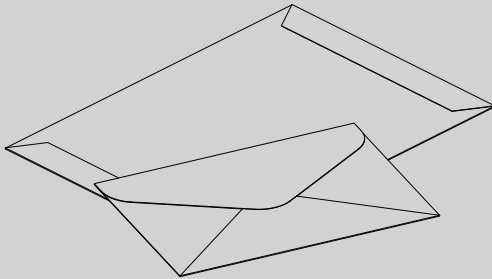
Type

Size



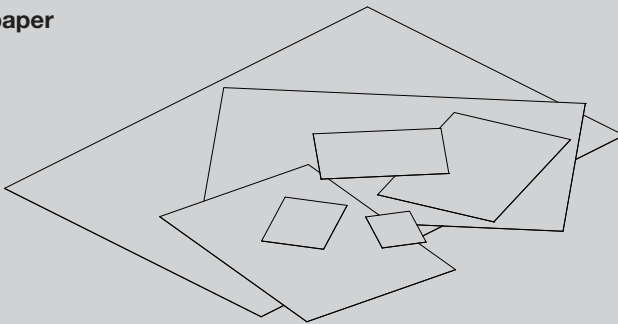
A6	105mm x 148mm
A5	148mm x 210mm
A4	210mm x 297mm
A3	297mm x 420mm
A2	420mm x 594mm
A1	594mm x 841mm
A0	841mm x 1189mm
Foolscap	210mm x 330mm

European envelopes



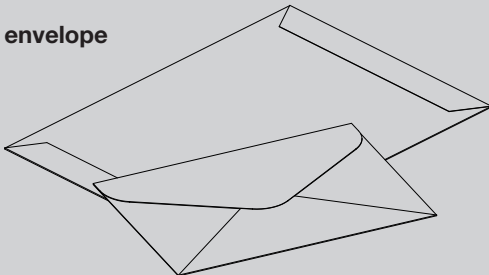
C4	Holds an A4 sheet unfolded	229mm x 324mm
C5	Holds an A4 sheet folded twice or an A5 sheet unfolded	162mm x 229mm
DL	Holds an A4 sheet folded twice or an A5 sheet folded once	110mm x 220mm

US paper



Junior legal	127mm x 203mm
Executive	190mm x 254mm
Letter	216mm x 279mm
Legal	216mm x 356mm
Ledger / tabloid	279mm x 432mm

US envelope

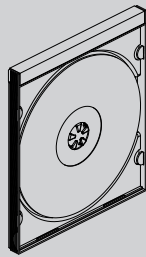


No 9	98mm x 225mm
No 10	105mm x 241mm
No 14	127mm x 292mm

Media filing

CD filing

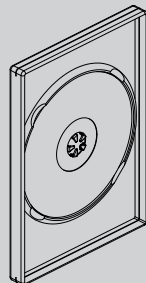
Media size 125mm (width) x 143mm (height) x 10mm (depth)
Capacities are for 5 - 8 pitch drawers (155mm - 248mm)



drawer width	capacity
800mm	5 rows - 195 cds
900mm	5 rows - 195 cds
914mm	6 rows - 234 cds
1000mm	7 rows - 273 cds
1067mm	7 rows - 273 cds

DVD filing

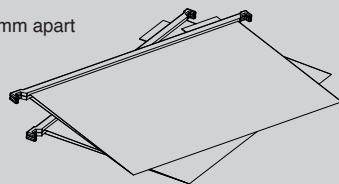
Media size 190mm (width) x 105mm (height) x 15mm (depth)
Capacities are for 5 - 8 pitch drawers (155mm - 248mm)



800mm	3 rows - 78 dvds
900mm	3 rows - 78 dvds
914mm	4 rows - 104 dvds
1000mm	4 rows - 104 dvds
1067mm	5 rows - 130 dvds

A4 swing files

305mm x 240mm – To fit hangers 320 - 330mm apart

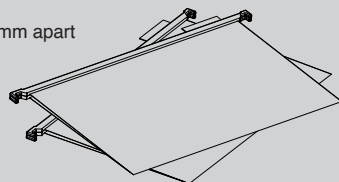


800mm	71 pockets approx.
900mm	81 pockets approx.
914mm	82 pockets approx.
1000mm	91 pockets approx.
1067mm	97 pockets approx.

*Assuming unloaded hanging pocket = max width 10mm

Foolscap swing files

360mm x 240mm – To fit hangers 380 - 390mm apart

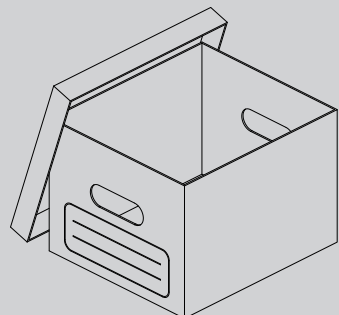


800mm	71 pockets approx.
900mm	81 pockets approx.
914mm	82 pockets approx.
1000mm	91 pockets approx.
1067mm	97 pockets approx.

*Assuming unloaded hanging pocket = max width 10mm

Archive box

H - 250mm W - 320mm D - 390mm



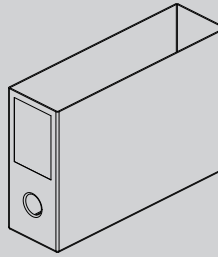
800mm	2 per shelf
900mm	2 per shelf
914mm	2 per shelf
1000mm	2 per shelf
1067mm	2 per shelf

Lever arch & box files filing

drawer width capacity

Top access box filing

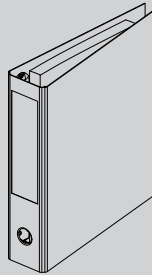
Media size 323mm (width) x 220mm (height) x 95mm (depth)
Capacities are for 8- 14 pitch drawers (248mm - 434mm)



800mm	2 rows - 8	Top access box
900mm	2 rows - 8	Top access box
914mm	2 rows - 8	Top access box
1000mm	2 rows - 8	Top access box
1067mm	3 rows - 12	Top access box

A4 lever arch

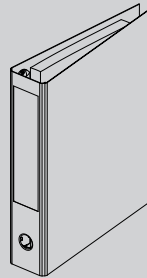
Media size 290mm (width) x 317mm (height) x 75mm (depth)
Capacities are for 10 - 14 pitch drawers (310mm - 434mm)



800mm	1 row - 9	A4 lever arch
900mm	1 row - 10	A4 lever arch
914mm	1 row - 11	A4 lever arch
1000mm	1 row - 12	A4 lever arch
1067mm	1 row - 13	A4 lever arch

Foolscap lever arch

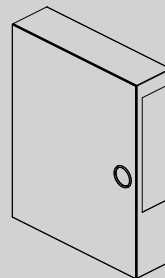
Media size 290mm (width) x 350mm (height) x 75mm (depth)
Capacities are for 10 - 14 pitch drawers (310mm - 434mm)



800mm	1 row - 9	Foolscap lever arch
900mm	1 row - 10	Foolscap lever arch
914mm	1 row - 11	Foolscap lever arch
1000mm	1 row - 12	Foolscap lever arch
1067mm	1 row - 13	Foolscap lever arch

A4 box file

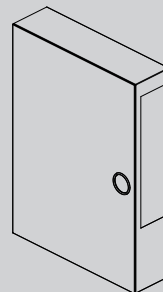
Media size 265mm (width) x 337mm (height) x 75mm (depth)
Capacities are for 10 - 14 pitch drawers (310mm - 434mm)



800mm	1 row - 9	A4 box file
900mm	1 row - 10	A4 box file
914mm	1 row - 11	A4 box file
1000mm	1 row - 12	A4 box file
1067mm	1 row - 13	A4 box file

Foolscap box file

Media size 265mm (width) x 370mm (height) x 75mm (depth)
Capacities are for 10 - 14 pitch drawers (310mm - 434mm)



800mm	1 row - 9	Foolscap box file
900mm	1 row - 10	Foolscap box file
914mm	1 row - 11	Foolscap box file
1000mm	1 row - 12	Foolscap box file
1067mm	1 row - 13	Foolscap box file

maineseries³¹

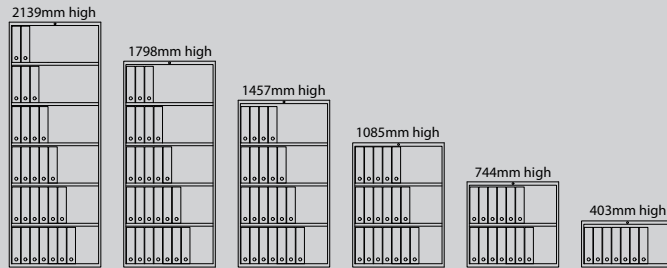
vertical capacities

unit width

per shelf

A4 lever arch

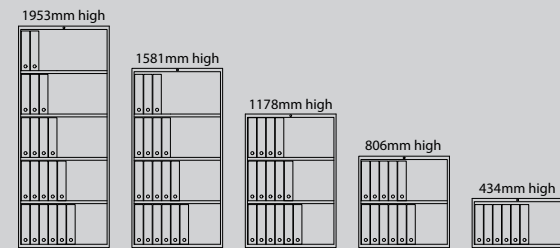
Media size 290mm (width) x 317mm (height) x 75mm (depth)



800mm	10 A4 lever arch
900mm	11 A4 lever arch
914mm	11 A4 lever arch
1000mm	12 A4 lever arch
1067mm	13 A4 lever arch

Foolscap lever arch

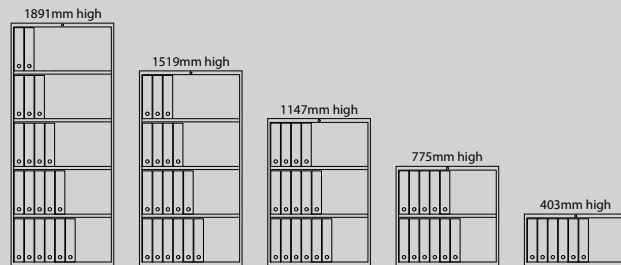
Media size 290mm (width) x 350mm (height) x 75mm (depth)



800mm	10 Foolscap lever arch
900mm	11 Foolscap lever arch
914mm	11 Foolscap lever arch
1000mm	12 Foolscap lever arch
1067mm	13 Foolscap lever arch

A4 box file

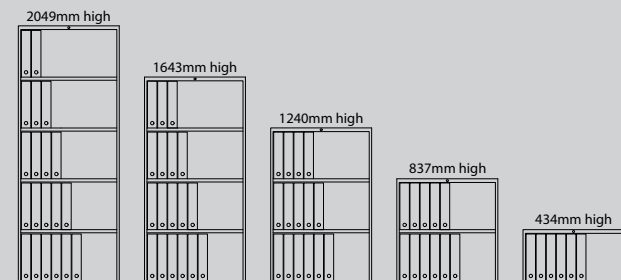
Media size 265mm (width) x 337mm (height) x 75mm (depth)



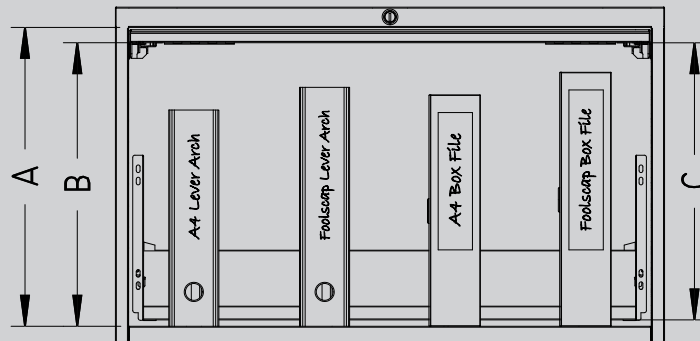
800mm	10 A4 box file
900mm	11 A4 box file
914mm	11 A4 box file
1000mm	12 A4 box file
1067mm	13 A4 box file

Foolscap box file

Media size 265mm (width) x 370mm (height) x 75mm (depth)



800mm	10 Foolscap box file
900mm	11 Foolscap box file
914mm	11 Foolscap box file
1000mm	12 Foolscap box file
1067mm	13 Foolscap box file



All dimensions are from the front raised edge of roll-out shelf to the underside of the receding door in the open position. It may be possible to install more than one internal component behind a receding door.

A	Shelves/Filler							Drawers
	B							C
	Roll-out shelf 124mm	Roll-out shelf 279mm	Fixed drawer body 124mm	Fixed drawer body 279mm	Slotted shelf	Blank shelf	Thin shelf	Vertical clearance height
124mm	N/A	N/A	N/A	N/A	N/A	72mm	87mm	114mm
155mm	122mm	N/A	115mm	N/A	N/A	103mm	118mm	145mm
186mm	152mm	N/A	146mm	N/A	134mm	134mm	149mm	176mm
217mm	183mm	N/A	177mm	N/A	165mm	165mm	180mm	207mm
248mm	214mm	N/A	213mm	N/A	196mm	196mm	211mm	238mm
279mm	119/122mm	243mm*	104/120mm	N/A	227mm	227mm	242mm	263mm
310mm	150/122mm	274mm	135/120mm	268mm	258mm	258mm	273mm	294mm
341mm	181/122mm	305mm	135/151mm	299mm	289mm	289mm	304mm	325mm
372mm	181/153mm	336mm	150/160mm	330mm	320mm	320mm	335mm	356mm
403mm	181/184mm	367mm	165/177mm	361mm	351mm	351mm	366mm	387mm
434mm	181/215mm	398mm	180/172mm	392mm	382mm	382mm	397mm	418mm

*Folder bars cannot be used on a 279mm roll-out shelf positioned behind a 279mm receding door.

Receding doors include all fixings to install components. Accessories need to be specified separately.

mainstream**vertical capacities****unit width****per shelf****A4 lever arch**

Media size 290mm (width) x 317mm (height) x 75mm (depth)

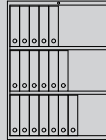
1829mm High



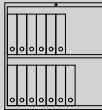
1457mm High



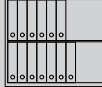
1085mm High



837mm High



713mm High



800mm

10 A4 lever arch

900mm

11 A4 lever arch

914mm

11 A4 lever arch

1000mm

12 A4 lever arch

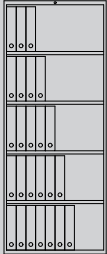
1067mm

13 A4 lever arch

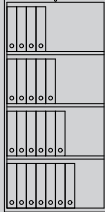
Foolscap lever arch

Media size 290mm (width) x 350mm (height) x 75mm (depth)

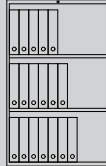
1984mm High



1674mm High



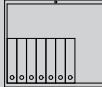
1302mm High



837mm High



682mm High



800mm

10 Foolscap lever arch

900mm

11 Foolscap lever arch

914mm

11 Foolscap lever arch

1000mm

12 Foolscap lever arch

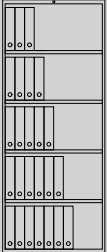
1067mm

13 Foolscap lever arch

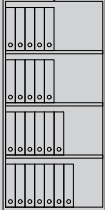
A4 box file

Media size 265mm (width) x 337mm (height) x 75mm (depth)

1984mm High



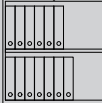
1674mm High



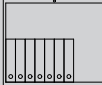
1147mm High



837mm High



682mm High



800mm

10 A4 box file

900mm

11 A4 box file

914mm

11 A4 box file

1000mm

12 A4 box file

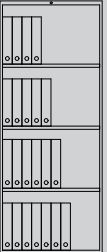
1067mm

13 A4 box file

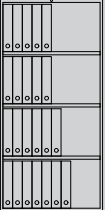
Foolscap box file

Media size 265mm (width) x 370mm (height) x 75mm (depth)

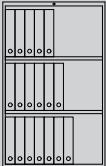
1984mm High



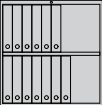
1674mm High



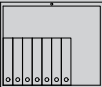
1302mm High



837mm High



682mm High



800mm

10 Foolscap box file

900mm

11 Foolscap box file

914mm

11 Foolscap box file

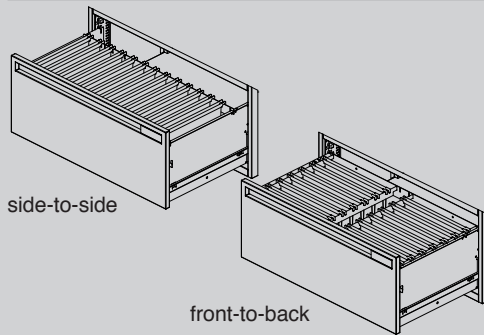
1000mm

12 Foolscap box file

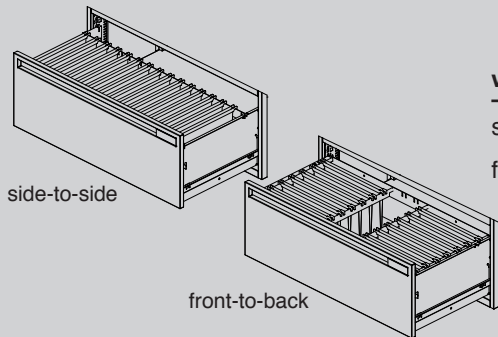
1067mm

13 Foolscap box file

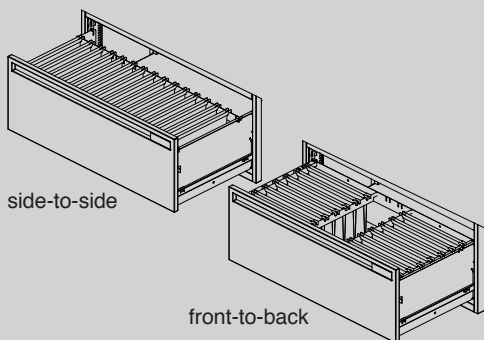
A4 suspended filing for drawers - for all ranges



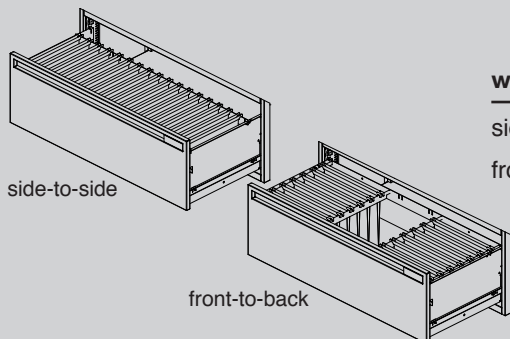
width	800mm	Folder bar ref.
side-to-side filing	718mm	80-FBA
front-to-back filing	768mm	80-FBC



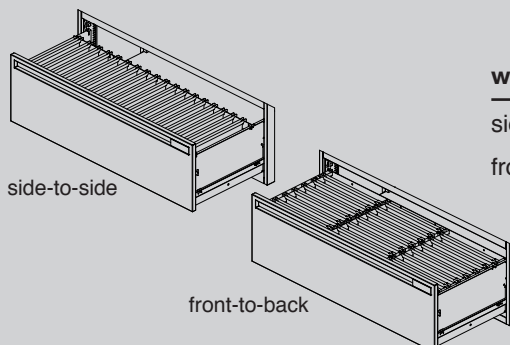
width	900mm	Folder bar ref.
side-to-side filing	818mm	90-FBA
front-to-back filing	768mm	90-FBC



width	914mm	Folder bar ref.
side-to-side filing	832mm	91-FBA
front-to-back filing	768mm	91-FBC

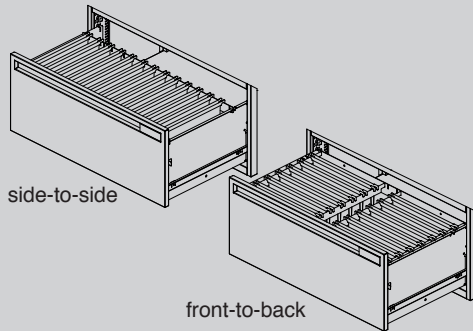


width	1000mm	Folder bar ref.
side-to-side filing	918mm	10-FBA
front-to-back filing	768mm	10-FBC

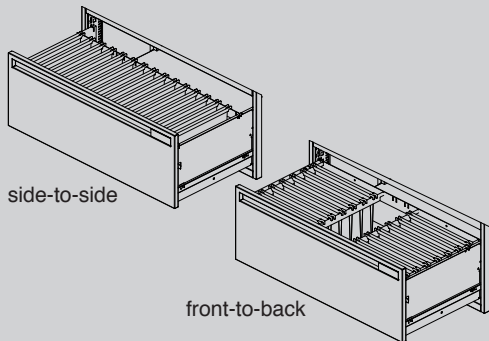


width	1067mm	Folder bar ref.
side-to-side filing	985mm	11-FBA
front-to-back filing	1152mm	11-FFM

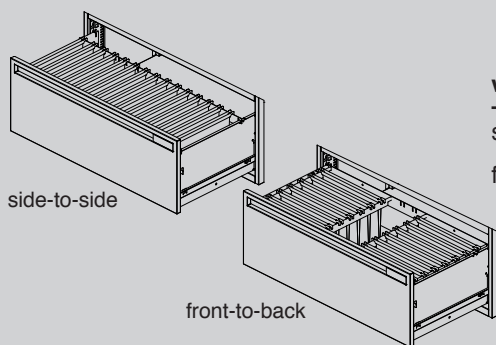
Foolscap suspended filing for drawers - for all ranges



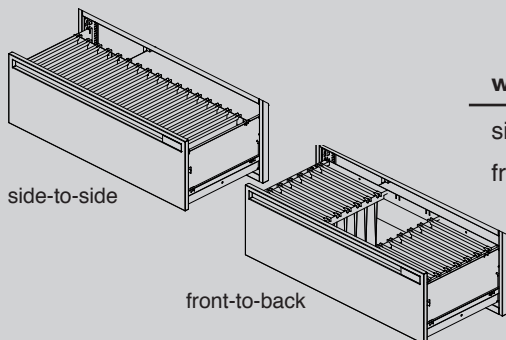
width	800mm	Folder bar ref.
side-to-side filing	718mm	80-FBA
front-to-back filing	702mm	80-FBB



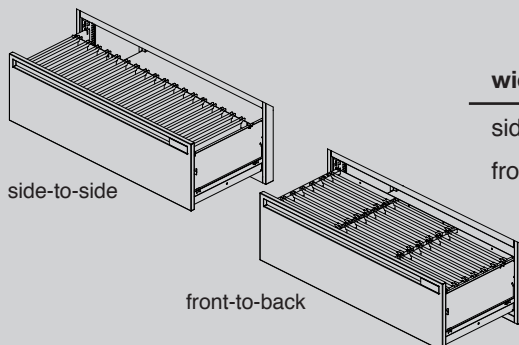
width	900mm	Folder bar ref.
side-to-side filing	818mm	90-FBA
front-to-back filing	802mm	90-FBB



width	914mm	Folder bar ref.
side-to-side filing	832mm	91-FBA
front-to-back filing	768mm	91-FBB



width	1000mm	Folder bar ref.
side-to-side filing	918mm	10-FBA
front-to-back filing	854mm	10-FBB



width	1067mm	Folder bar ref.
side-to-side filing	985mm	11-FBA
front-to-back filing	927mm	11-FBB



London Office
31-35 Kirby Street
London
EC1N 8TE
t. 0207 492 1970

Head Office
40 Barton Road
Water Eaton Industrial Estate
Milton Keynes, MK2 3EF
t. 01908 271688

sales@maine.co.uk

www.maine.co.uk