

maine storage&filing





Introduction	4	Mainedesign	54 - 58
Specification simplified	5 - 7	Basic Shells	56
The pitch system	5	Components	57
Colours, finishes & Identification	6	Drawer bodies	58
Numbering system & coding	7	Filler panels	58
		Cupboard fixings	58
Maineseries31 range	8	Close to workstation storage	59 - 75
Mainepure range	9	Combination units	60
Complete storage units	11 - 22	Tower units	61 - 69
Maineseries31	12 - 17	Accessories	66
Recycle unit	13	Capacities	67 - 69
Five/four unit	15 & 20	Mobile units	70 - 71
Mainepure	18 - 22	Pedestals	72 - 75
Configured to order Maineseries31	23 - 53	Narrow width	72 - 73
Basic shells	24 - 28	A4 width	74 - 75
Components	30 - 31	Lockers	76 - 82
Drawers	30 - 31	Cube Lockers	78
Receding doors	32 - 33	Multi-unit lockers	79 - 80
Roll-out shelves	34	Team storage	82
Fixed drawer bodies	35	Coat cupboard & locker	82
Drawer fronts	36	Bookcases	83 - 84
Filler panels	37	Storage capacities & filing services	85 - 93
Posting shelves	37	Capacities for A4 filing	86
Cupboard doors	38 - 43	Capacities for Foolscap filing	87
Shelves	44 - 45	Multi - media filing	88
Coat rods	45	Drawer capacities	88 - 89
Accessories	46 - 49	Vertical capacities	90
Folder bars	46 - 49	Clear filing height	91
Filing frames	48	Paper sizes	92
Plate dividers	50	Filing and retrieval	93
Runners	50	Information	94 - 100
Stacking kits	50	Manufactured in the UK	96
Plinths & levelling guide	51	Environmental & sustainable policies	97
Tops & planters	52	Warranty & Quality Standards	98
High security accessories	53	Glossary	99
Security shelf	53	Contact details	100
Individual drawer lock	53		
Cupboard drawer lock	53		

Introduction

Maine designs and manufactures prestigious and innovative storage and filing systems in their award-winning factory, in Buckinghamshire.

Maine introduced the lateral file to the UK in 1985 with the Storwal brand, which later became Maineseries31. Maine has the largest range of lateral files available and with the ability to modify during manufacture, we can ensure to meet individual requirements precisely.

Maine work closely with designers to support innovation within the workplace. Intelligent storage solutions are formulated through experienced knowledge of retrieval practices and manufacture.

Maine are specified in both the Private and Public sectors including: Government offices, major banks, law practices, corporate and retail headquarters. In addition to smaller design-orientated workplaces, such as broadcasting studios and architect's own offices.

The Maineseries31 Specification Guide is designed to offer the flexible information required to build storage units to individual requirements. We have also included a section of Complete storage units (pages 11 - 22) which we have compiled from the most frequently specified units. Do contact our sales team should you require any further information sales@maine.co.uk



One pitch = 31mm
vertical height

In this Specification Guide all heights are itemised in mm and pitches.

Maine has a wide range of complete units which can be easily specified and ordered from this Specification Guide on pages 11 - 22. These units fulfill conventional filing requirements within a modern office.

If you require units to your own specification, Maineseries31 can provide a flexible and varied solution, building a filing and storage unit from standard parts.

All Maine units are stackable and the horizontal lines align, for example when a 20 pitch unit and a 30 pitch unit are stacked together, then positioned next to a 52 pitch unit, they will align horizontally (the 2 extra pitches are utilised by the stacking trays).

The modular system also allows for a variety of interchangeable components to be specified, such as receding/flipper doors, drawers, cupboard doors, within a basic shell. This ability to be modular creates an efficient and streamlined result.

Maineseries31 has 59 basic shell heights starting at 341mm high, which rise in 31mm increments up to 2139mm. The available widths are 800mm, 900mm, 914mm, 1000mm and 1067mm.

Drawer and flipper/receding door heights also fit within the pitch system of 31mm increments. These start at a height of 124mm/4 pitch and end at a height of 434mm/14 pitch, a total of 11 different heights are available.

Using the pitch system

Examples A 1302mm high unit is a 40 pitch basic shell which can be fitted with
 10 x 4 pitch drawers (124mm) = 40 pitches
 5 x 8 pitch drawers (248mm) = 40 pitches
 or for the same 1302mm unit
 2 x 14 pitch (434mm) = 28 pitches + 1 x 12 pitch (372mm) = 40 pitches

Mathematically pure pitch system

Every Maine basic shell works efficiently and effectively within the pitch system, there are no anomalies and it allows clients to specify exactly what they require.

Colours & finishes

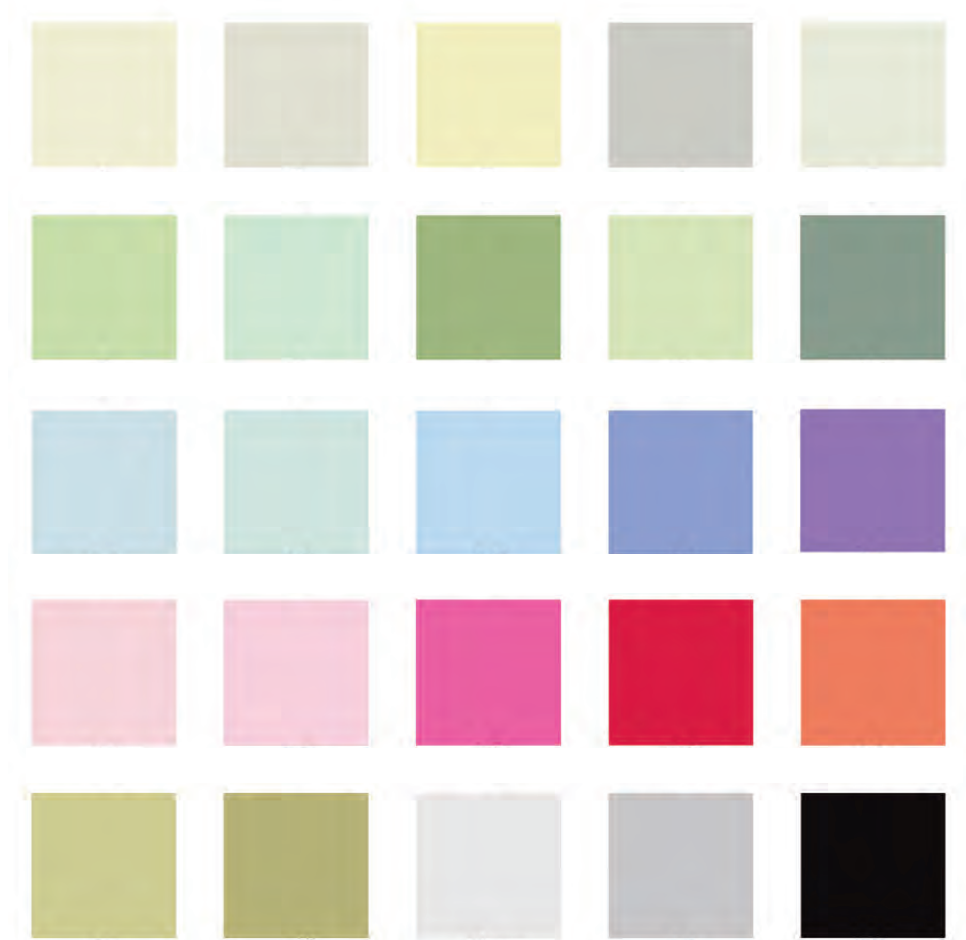
Maine units can be specified in any colour including tonal shades and corporate colours. Colours can be specified from the palettes of BS, RAL, Pantone or Dulux Colour Dimensions as well as specialist paints including Hammerite, metallic, polychromatic and pearlescent finishes.

Maine’s powder paint line uses the most contemporary technology to ensure a perfect finish. Metal swatches in the final colours and finishes are supplied to ensure a perfect match

Identification

Every unit has a unique individual identification label with a fully traceable serial number (in accordance with ISO 9001). This label also carries the name and address of Maine Office and the individual inspection stamp identifying the person responsible for assembly. Maine record each serial number and can trace items such as, build specification paint colour batch and key number

Popular colours and inspiration from the RAL chart



All parts within a Maine storage unit adhere to a numbering system. For complete storage units on pages 11 - 22, one code is allocated for a complete unit, in some cases with an extra code if optional counter-balance weights or locks are specified.

For Configured to Order units, each part has a code which relates to its size and /or function. Basic shells, drawers and doors are coded to their width and number of pitches they contain. For example a **800mm** Basic shell with a nominal width of **80** and an internal height of **30** pitches would have a code of **8030**. The height of the unit is 30 pitches (30 x 31mm) 930mm + 62mm (top and bottom edges of unit) = 992mm. See page 5 if you would like more information on the pitch system.

Components are specified from top to bottom, here are code examples from an 800mm wide unit x 992mm external height with 1 x 310mm drawer at the top fitted with FBA folder bars for suspended filing, followed by 2 x 155mm drawers fitted with dividers and a 310mm drawer at the bottom without any accessories:

Basic shell	8030 (outlined above)
Top 310mm drawer	8010-DR (10 pitches x 31mm = 310mm) DR = drawer
Type A folder bars	80-FBA
2 x 155mm drawers	8005-DR (5 pitches x 31mm = 155mm) DR = drawer
2 x Plate dividers	150-PD (150 height to fit 155mm drawers) PD = plate dividers
Bottom drawer	8010-DR (same as the top drawer)

Numbering system

Alphabetic coding

BS	Blank shelf	L	Locking system
CBS	Combination filing shelf	MUSS	Multi-unit slotted shelf
CBW	Counter balance weight	PB	Planter box
CIDL	Individual drawer lock	PD	Plate dividers
CL	Centre locking system	RD	Receding door (inset handle at bottom of door)
CR	Coat rod	SS	Slotted shelf
CT	Curved top	ST	Sloping top
DF	Drawer front	SUSP	Drawer runners
DR	Drawer - standard (Maineseries31- inset handle at the top)	SYS	Security shelf
DT	Dome top	TBS	Thin blank shelf
ESPL	Cupboard door lock	01-F	31mm filler
F-15	15mm plinth	02-F	62mm filler
FB	Folder bar	02-LF	62mm locking filler
FDB	Fixed drawer body	02-PS	62mm posting shelf
HCD	Hinged cupboard door		

Maineseries31 is named after the increments in each rise of 31mm, the height starts at 341mm and can be specified up to a height of 2139mm. More information on this pitch system and how to specify the range is on page 5.

The Maineseries31 range includes:

maineseries31

Lateral files and cupboard units in 59 heights and 5 widths
Including Recycle units which complement standard office storage with swing doors for easy access to bins.

Mainepure

The same wide range of units as maineseries31 with a flush-fitting pull handle which also functions as a label holder.

Workstation storage

Maine units are compatible with all workstations and desks.
Desk-side units, with/without tambour can fit alongside all furniture ranges.
Units include, Maine towers, mobile units and pedestals.

Personal storage

Maine's multi-units offer security alongside conventional office storage requirements. Cupboards are fitted with Maine's unique 4 point locking system.
Team storage can also be specified alongside standard office storage, allowing personal items to be stored close-to-desk in lockers with traditional filing alongside.



Mainepure is manufactured to the same rigorous high standards as the Maineseries31 range. It can also fit alongside Maine's existing ranges and is available in the same wide range of heights and widths. Mainepure has a clean, elegant facade and a flush, discreet label holder, which also acts as the drawer/door pull.

Mainepure has the same flexibility as Maineseries31 and Mainestream, uniquely these ranges can be modified during manufacture to meet precise, individual requirements. These ranges can be finished in any colour including standard BS, RAL, Pantone, Dulux Colour Dimensions and specialised paint finishes.

Mainepure is 98% recyclable with 40% recycled previously. Manufactured in the UK.



Maineseries31

Mainepure

Maine's unique optional four-point locking system

Maine cupboard units are both strong and secure and feature two point espagnolette locking as standard. For greater security and additional user benefits Maine's unique four-point locking system can be specified on Maineseries31 cupboards 682mm high and above.

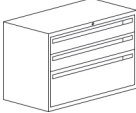
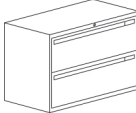
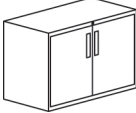
The four locking points at the top and bottom of each door create a more secure cupboard, than a single or double point lock, doors cannot be lifted or prised open.

Each side of the cupboard is locked separately with a single key, which allows the cupboard doors (once unlocked) to be opened independently of each other for ease of use.



682mm external height x 457mm depth

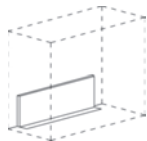
Lock - Fitted as standard - see details below

width	code		
800mm	8020F-BB-L		<p>Drawers 2 x 155mm drawers - accepts 150-PD dividers 1 x 310mm drawer - accepts 300-PD dividers 1 x folder bars</p> <p>Storage Files A4 or foolscap laterally or binders spine-up</p>
900mm	9020F-BB-L		
914mm	9120F-BB-L		
1000mm	1020F-BB-L		
1067mm	1120F-BB-L		
800mm	8020F-L		<p>Drawers 2 x 310mm drawers - accepts 300-PD dividers 2 x folder bars</p> <p>Storage Files A4 or foolscap laterally or binders spine-up</p>
900mm	9020F-L		
914mm	9120F-L		
1000mm	1020F-L		
1067mm	1120F-L		
800mm	8020C-L		<p>Cupboard 682mm 2 door cupboard 1 adjustable shelf</p> <p>Storage Lever arch & box files</p>
900mm	9020C-L		
914mm	9120C-L		
1000mm	1020C-L		
1067mm	1120C-L		

Lock - drawer unit supplied with lock located at top of unit

Lock - cupboard unit supplied with standard 2 point espagnolette locking. For Maine's optional unique 4 point locking system please contact Customer Services (01908 271688 or sales@maine.co.uk) for the code and additional price. More information can also be found on page 11.

Counter balance weight - (CBW) recommended for free-standing units under 1023mm high

	Code
	LF-CBW

992mm external height x 457mm depth

Lock - Fitted as standard - see details below

width	code		
800mm	8030F-BB-L		<p>Drawers 2 x 155mm drawers - accepts 150mm-PD dividers 2 x 310mm drawer - accepts 300-PD dividers 2 x folder bars</p> <p>Storage Files A4 or foolscap laterally or binders spine-up</p>
900mm	9030F-BB-L		
914mm	9130F-BB-L		
1000mm	1030F-BB-L		
1067mm	1130F-BB-L		
800mm	8030F-L		<p>Drawers 3 x 310mm drawers - accepts 300-PD dividers 3 x folder bars</p> <p>Storage Files A4 or foolscap laterally or binders spine-up</p>
900mm	9030F-L		
914mm	9130F-L		
1000mm	1030F-L		
1067mm	1130F-L		
800mm	8030C-L		<p>Cupboard 992mm 2 door cupboard 2 adjustable shelves</p> <p>Storage Lever arch & box files</p>
900mm	9030C-L		
914mm	9130C-L		
1000mm	1030C-L		
1067mm	1130C-L		

992mm external height x 457mm			<p>Recycle Unit 2 Flaps 2 Cupboard doors Set of Recycling logos</p>
800mm	REC-8030		
1000mm	REC-1030		
1085mm external height x 457mm			
800mm	REC-8033		
1000mm	REC-1033		

Lock - drawer unit supplied with lock located at top of unit


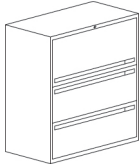
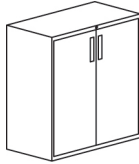
Lock - cupboard unit supplied with standard 2 point espagnolette locking. For Maine's optional unique 4 point locking system please contact Customer Services (01908 271688 or sales@maine.co.uk) for the code and additional price. More information can also be found on page 11.

Counter balance weight - (CBW) recommended for free-standing units under 1023mm high

	Code
	LF-CBW

1085mm external height x 457mm depth

Lock - Fitted as standard - see details below



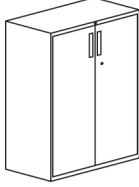
width	code		
800mm	8033F-L		<p>Drawers 3 x 341mm drawers - accepts 300-PD dividers 3 folder bars</p> <p>Storage Files A4 or foolscap laterally or binders spine-up</p>
900mm	9033F-L		
914mm	9133F-L		
1000mm	1033F-L		
1067mm	1133F-L		
800mm	8033F-RD-L		<p>Receding door (372mm) 1 x adjustable shelf</p> <p>Storage lever arch box files</p> <p>Drawers 1 x 1 (31mm) pitch filler 2 x 310mm drawers - accepts 300-PD dividers 2 folder bars</p> <p>Storage files A4 or foolscap laterally or binders spine-up</p>
900mm	9033F-RD-L		
914mm	9133F-RD-L		
1000mm	1033F-RD-L		
1067mm	1133F-RD-L		
800mm	8033C-L		<p>Cupboard 1085mm 2 door cupboard 2 adjustable shelves</p> <p>Storage Lever arch & box files</p>
900mm	9033C-L		
914mm	9133C-L		
1000mm	1033C-L		
1067mm	1133C-L		

Lock - drawer unit supplied with lock located at top of unit


Lock - cupboard unit supplied with standard 2 point espagnolette locking. For Maine's optional unique 4 point locking system please contact Customer Services (01908 271688 or sales@maine.co.uk) for the code and additional price. More information can also be found on page 11.

1302mm external height x 457mm depth

Lock - Fitted as standard - see details below

width	code		
800mm	8040F-BB-L		<p>Drawers 2 x 155mm drawers - accepts 150-PD dividers 3 x 310mm drawers - accepts 300-PD dividers 3 x folder bars</p> <p>Storage Files A4 or foolscap laterally or binders spine-up</p>
900mm	9040F-BB-L		
914mm	9140F-BB-L		
1000mm	1040F-BB-L		
1067mm	1140F-BB-L		
800mm	8040F-L		<p>Drawers 4 x 310mm drawers - accepts 300-PD dividers 4 x folder bars</p> <p>Storage Files A4 or foolscap laterally or binders spine-up</p>
900mm	9040F-L		
914mm	9140F-L		
1000mm	1040F-L		
1067mm	1140F-L		
800mm	8040C-L		<p>Cupboard 1302mm 2 door cupboard 3 adjustable shelves</p> <p>Storage Lever arch & box files</p>
900mm	9040C-L		
914mm	9140C-L		
1000mm	1040C-L		
1067mm	1140C-L		

1457mm external height x 457mm depth

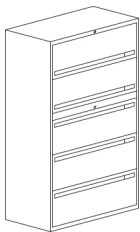
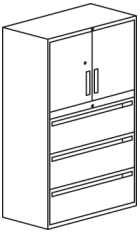
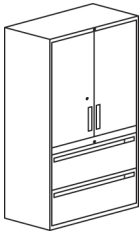
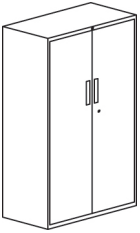
800mm	8045F-L		<p>Five/four unit</p> <p>Drawers 5 x 279mm drawers - accepts 300-PD dividers 5 x folder bars</p> <p>Storage Files A4 or foolscap laterally or binders spine-up</p>
900mm	9045F-L		
914mm	9145F-L		
1000mm	1045F-L		
1067mm	1145F-L		

Lock - drawer unit supplied with lock located at top of unit

Lock - cupboard unit supplied with standard 2 point espagnolette locking. For Maine's optional unique 4 point locking system please contact Customer Services (01908 271688 or sales@maine.co.uk) for the code and additional price. More information can also be found on page 11.

1674mm external height x 457mm depth

Lock - Fitted as standard - see details below

width	code		
800mm	8052F-CL		<p>Receding door (2 x 310mm) and 2 x lateral file rails</p> <p>Storage files suspended file rails</p> <p>Drawers (3 x 341mm) - accepts 300-PD dividers 3 folder bars</p> <p>Storage - files A4 or foolscap laterally or binders spine-up</p>
900mm	9052F-CL		
914mm	9152F-CL		
1000mm	1052F-CL		
* with 62mm filler			
800mm	8052F-20C-CL		<p>Cupboard (2 door - 620mm)</p> <p>Shelves 1 x adjustable 1 x multi unit - accepts 300-PD dividers</p> <p>Storage lever arch & box files</p> <p>Drawers (3 x 310mm) - accepts 300-PD dividers 3 folder bars</p> <p>Storage - files A4 or foolscap laterally or binders spine-up</p>
900mm	9052F-20C-CL		
914mm	9152F-20C-CL		
1000mm	1052F-20C-CL		
* with 62mm filler			
800mm	8052F-30C-CL		<p>Cupboard (2 door - 930mm)</p> <p>Shelves 2 x adjustable 1 x multi unit - accepts 300-PD dividers</p> <p>Storage lever arch & box files</p> <p>Drawers (2 x 310mm) - accepts 300-PD dividers 2 folder bars</p> <p>Storage - files A4 or foolscap laterally or binders spine-up</p>
900mm	9052F-30C-CL		
914mm	9152F-30C-CL		
1000mm	1052F-30C-CL		
* with 62mm filler			
800mm	8052C-L		<p>Cupboard 1674mm 2 door cupboard 4 adjustable shelves</p> <p>Storage lever arch & box files</p>
900mm	9052C-L		
914mm	9152C-L		
1000mm	1052C-L		


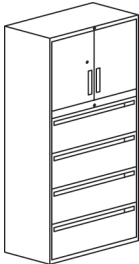
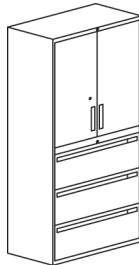
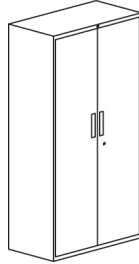
Lock - drawer unit supplied with lock located in the centre on a 2 pitch/62mm filler.

Multi-unit 4 point locking not available on multi-units.

Lock - cupboard unit supplied with standard 2 point espagnolette locking. For Maine's optional unique 4 point locking system please contact Customer Services (01908 271688 or sales@maine.co.uk) for the code and additional price. More information can also be found on page 11.

1984mm external height x 457mm depth

Lock - Fitted as standard - see details below

width	code		
800mm	8062F-CL		<p>Receding door (3 x 310mm) and 3 x lateral file rails</p> <p>Storage files suspended file RAILS</p> <p>Drawers (3 x 341mm) - accepts 300-PD dividers 3 folder bars</p> <p>Storage - files A4 or foolscap laterally or binders spine-up</p>
900mm	9062F-CL		
914mm	9162F-CL		
1000mm	1062F-CL		
* with 62mm filler			
800mm	8062F-20C-CL		<p>Cupboard (2 door - 620mm)</p> <p>Shelves 1 x adjustable 1 x multi unit - accepts 300-PD dividers</p> <p>Storage lever arch & box files</p> <p>Drawers (4 x 310mm) - accepts 300-PD dividers 4 folder bars</p> <p>Storage - files A4 or foolscap laterally or binders spine-up</p>
900mm	9062F-20C-CL		
914mm	9162F-20C-CL		
1000mm	1062F-20C-CL		
* with 62mm filler			
800mm	8062F-30C-CL		<p>Cupboard (2 door - 930mm)</p> <p>Shelves 2 x adjustable 1 x multi unit - accepts 300-PD dividers</p> <p>Storage lever arch & box files</p> <p>Drawers (3 x 310mm) - accepts 300-PD dividers 3 folder bars</p> <p>Storage - files A4 or foolscap laterally or binders spine-up</p>
900mm	9062F-30C-CL		
914mm	9162F-30C-CL		
1000mm	1062F-30C-CL		
* with 62mm filler			
800mm	8062C-L		<p>Cupboard 1984mm 2 door cupboard 5 adjustable shelves</p> <p>Storage lever arch & box files</p>
900mm	9062C-L		
914mm	9162C-L		
1000mm	1062C-L		

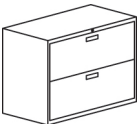
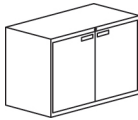
Lock - drawer unit supplied with lock located in the centre on a 2 pitch/62mm filler.

Multi-unit 4 point locking not available on multi-units.

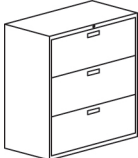
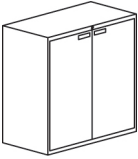
Lock - cupboard unit supplied with standard 2 point espagnolette locking. For Maine's optional unique 4 point locking system please contact Customer Services (01908 271688 or sales@maine.co.uk) for the code and additional price. More information can also be found on page 11.

682mm external height x 457mm depth

Lock - Fitted as standard - see details below

width	code		
800mm	MP8020F-L		<p>Drawers 2 x 310mm drawers - accepts 300mm-PD dividers 2 x folder bars</p> <p>Storage Files A4 or foolscap laterally or binders spine-up</p>
900mm	MP9020F-L		
914mm	MP9120F-L		
1000mm	MP1020F-L		
1067mm	MP1120F-L		
800mm	MP8020C-L		<p>Cupboard 682mm 2 door cupboard 1 adjustable shelf</p> <p>Storage Lever arch & box files</p>
900mm	MP9020C-L		
914mm	MP9120C-L		
1000mm	MP1020C-L		
1067mm	MP1120C-L		

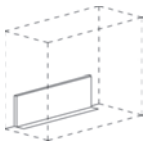
992mm external height x 457mm depth

width	code		
800mm	MP8030F-L		<p>Drawers 3 x 310mm drawers - accepts 300mm-PD dividers 3 x folder bars</p> <p>Storage Files A4 or foolscap laterally or binders spine-up</p>
900mm	MP9030F-L		
914mm	MP9130F-L		
1000mm	MP1030F-L		
1067mm	MP1130F-L		
800mm	MP8030C-L		<p>Cupboard 992mm 2 door cupboard 2 adjustable shelves</p> <p>Storage Lever arch & box files</p>
900mm	MP9030C-L		
914mm	MP9130C-L		
1000mm	MP1030C-L		
1067mm	MP1130C-L		

Lock - drawer unit supplied with lock located at top of unit

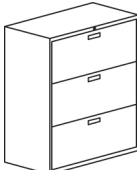

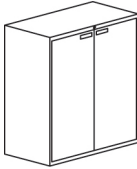
Lock - cupboard unit supplied with standard 2 point espagnolette locking. For Maine's optional unique 4 point locking system please contact Customer Services (01908 271688 or sales@maine.co.uk) for the code and additional price. More information can also be found on page 11.

Counter balance weight - (CBW) recommended for free-standing units under 1023mm high

	Code
	LF-CBW

1085mm external height x 457mm depth

Lock - Fitted as standard - see details below

width	code		
800mm	MP8033F-L		<p>Drawers 3 x 341mm drawers - accepts 300-PD dividers 3 folder bars</p> <p>Storage Files A4 or foolscap laterally or binders spine-up</p>
900mm	MP9033F-L		
914mm	MP9133F-L		
1000mm	MP1033F-L		
1067mm	MP1133F-L		
800mm	MP8033F-RD-L		<p>Receding door (372mm) 1 x adjustable shelf</p> <p>Storage lever arch box files</p> <p>Drawers 2 x 310mm drawers - accepts 300-PD dividers 2 folder bars</p> <p>Storage files A4 or foolscap laterally or binders spine-up</p>
900mm	MP9033F-RD-L		
914mm	MP9133F-RD-L		
1000mm	MP1033F-RD-L		
1067mm	MP1133F-RD-L		
800mm	MP8033C-L		<p>Cupboard 1085mm 2 door cupboard 2 adjustable shelves</p> <p>Storage Lever arch & box files</p>
900mm	MP9033C-L		
914mm	MP9133C-L		
1000mm	MP1033C-L		
1067mm	MP1133C-L		

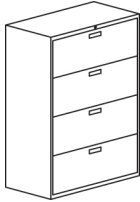
Lock - drawer unit supplied with lock located at top of unit

Lock - cupboard unit supplied with standard 2 point espagnolette locking. For Maine's optional unique 4 point locking system please contact Customer Services (01908 271688 or sales@maine.co.uk) for the code and additional price. More information can also be found on page 11.

1302mm external height x 457mm depth

Lock - Fitted as standard - see details below

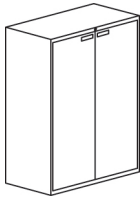
width	code
800mm	MP8040F-L
900mm	MP9040F-L
914mm	MP9140F-L
1000mm	MP1040F-L
1067mm	MP1140F-L



Drawers
4 x 310mm drawers - accepts 300-PD dividers
4 X folder bars

Storage
Files A4 or foolscap laterally or binders spine-up

800mm	MP8040C-L
900mm	MP9040C-L
914mm	MP9140C-L
1000mm	MP1040C-L
1067mm	MP1140C-L

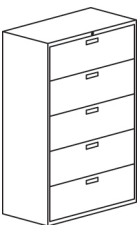


Cupboard
1302mm 2 door cupboard
3 adjustable shelves

Storage
Lever arch & box files

1457mm external height x 457mm depth

800mm	MP8045F-L
900mm	MP9045F-L
914mm	MP9145F-L
1000mm	MP1045F-L
1067mm	MP1145F-L



Five/four unit

Drawers
5 x 279mm drawers - accepts 300-PD dividers
5 x folder bars

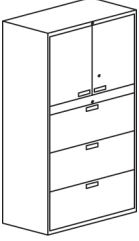
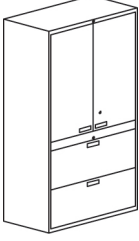
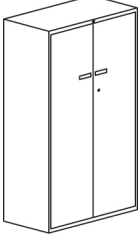
Storage
Files A4 or foolscap laterally or binders spine-up

Lock - drawer unit supplied with lock located at top of unit

Lock - cupboard unit supplied with standard 2 point espagnolette locking. For Maine's optional unique 4 point locking system please contact Customer Services (01908 271688 or sales@maine.co.uk) for the code and additional price. More information can also be found on page 11.

1674mm external height x 457mm depth

Lock - Fitted as standard - see details below

width	code		
800mm	MP8052F-20C-CL		<p>Cupboard (2 door 620mm)</p> <p>Shelves 1 x adjustable 1 x multi unit - accepts 300-PD dividers</p> <p>Storage lever arch and box files</p> <p>Drawers (3 x 310mm) - accepts 300-PD dividers 3 folder bars</p> <p>Storage - files A4 or foolscap laterally or binders spine-up</p>
900mm	MP9052F-20C-CL		
914mm	MP9152F-20C-CL		
1000mm	MP1052F-20C-CL		
* with 62mm filler			
800mm	MP8052F-30C-CL		<p>Cupboard (2 door 930mm)</p> <p>Shelves 2 x adjustable 1 x multi unit - accepts 300-PD dividers</p> <p>Storage lever arch and box files</p> <p>Drawers (2 x 310mm) - accepts 300-PD dividers 2 folder bars</p> <p>Storage - files A4 or foolscap laterally or binders spine-up</p>
900mm	MP9052F-30C-CL		
914mm	MP9152F-30C-CL		
1000mm	MP1052F-30C-CL		
* with 62mm filler			
800mm	MP8052C-L		<p>Cupboard</p> <p>1674mm 2 door cupboard 4 adjustable shelves</p> <p>Storage lever arch and box files</p>
900mm	MP9052C-L		
914mm	MP9152C-L		
1000mm	MP1052C-L		

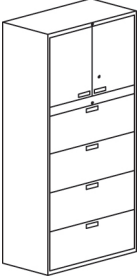
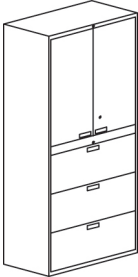
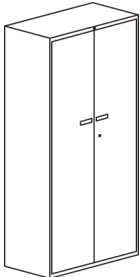
Lock - drawer unit supplied with lock located in the centre on a 2 pitch/62mm filler.

Multi-unit 4 point locking not available on multi-units.

Lock - cupboard unit supplied with standard 2 point espagnolette locking. For Maine's optional unique 4 point locking system please contact Customer Services (01908 271688 or sales@maine.co.uk) for the code and additional price. More information can also be found on page 11.

1984mm external height x 457mm depth

Lock - Fitted as standard - see details below

width	code		
800mm	MP8062F-20C-CL		<p>Cupboard (2 door 620mm)</p> <p>Shelves 1 x adjustable 1 x multi unit - accepts 300-PD dividers</p> <p>Storage lever arch and box files</p> <p>Drawers (4 x 310mm) - accepts 300-PD dividers 4 folder bars</p> <p>Storage - files A4 or foolscap laterally or binders spine-up</p>
900mm	MP9062F-20C-CL		
914mm	MP9162F-20C-CL		
1000mm	MP1062F-20C-CL		
* with 62mm filler			
800mm	MP8062F-30C-CL		<p>Cupboard (2 door 930mm)</p> <p>Shelves 2 x adjustable 1 x multi unit - accepts 300-PD dividers</p> <p>Storage lever arch and box files</p> <p>Drawers (3 x 310mm) - accepts 300-PD dividers 3 folder bars</p> <p>Storage - files A4 or foolscap laterally or binders spine-up</p>
900mm	MP9062F-30C-CL		
914mm	MP9162F-30C-CL		
1000mm	MP1062F-30C-CL		
* with 62mm filler			
800mm	MP8062C-L		<p>Cupboard</p> <p>1984mm 2 door cupboard 5 adjustable shelves</p> <p>Storage lever arch and box files</p>
900mm	MP9062C-L		
914mm	MP9162C-L		
1000mm	MP1062C-L		

Lock - drawer unit supplied with lock located in the centre on a 2 pitch/62mm filler.

Multi-unit 4 point locking not available on multi-units.

Lock - cupboard unit supplied with standard 2 point espagnolette locking. For Maine's optional unique 4 point locking system please contact Customer Services (01908 271688 or sales@maine.co.uk) for the code and additional price. More information can also be found on page 11.



Basic shells

Components

- Drawers
- Receding doors
- Roll-out shelves
- Fixed drawer bodies
- Drawer fronts
- Filler panels
- Posting shelves
- Cupboard doors
- Shelves & coat rods

Accessories

- Folder bars
- Filing frames
- Plate dividers
- Runners
- Stacking kits

Plinths & levelling guide

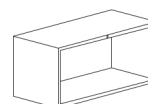
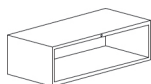
Tops & planter boxes

High security accessories

- Security shelf
- Individual drawer lock
- Cupboard drawer lock

Basic shells

457mm depth

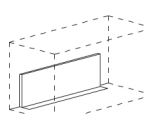


9 pitches accepts internal components to 279mm 341mm external height		10 pitches accepts internal components to 310mm 372mm external height		11 pitches accepts internal components to 341mm 403mm external height		12 pitches accepts internal components to 372mm 434mm external height	
width	code	code	code	code	code	code	code
800mm	8009	8010	8011	8012	9009	9010	9012
900mm	9009	9010	9011	9012	9109	9110	9112
914mm	9109	9110	9111	9112	1009	1010	1012
1000mm	1009	1010	1011	1012	1067mm	1109	1112
1067mm	1109	1110	1111	1112			

13 pitches accepts internal components to 403mm 465mm external height		14 pitches accepts internal components to 434mm 496mm external height		15 pitches accepts internal components to 465mm 527mm external height		16 pitches accepts internal components to 496mm 558mm external height	
width	code	code	code	code	code	code	code
800mm	8013	8014	8015	8016	9013	9014	9016
900mm	9013	9014	9015	9016	9113	9114	9116
914mm	9113	9114	9115	9116	1013	1014	1016
1000mm	1013	1014	1015	1016	1067mm	1113	1116
1067mm	1113	1114	1115	1116			

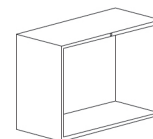
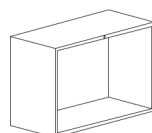
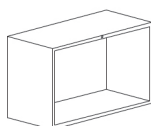
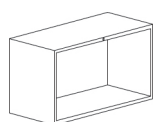
17 pitches accepts internal components to 527mm 589mm external height		18 pitches accepts internal components to 558mm 620mm external height		19 pitches accepts internal components to 589mm 651mm external height		20 pitches accepts internal components to 620mm 682mm external height	
width	code	code	code	code	code	code	code
800mm	8017	8018	8019	8020	9017	9018	9020
900mm	9017	9018	9019	9020	9117	9118	9120
914mm	9117	9118	9119	9120	1017	1018	1020
1000mm	1017	1018	1019	1020	1067mm	1117	1120
1067mm	1117	1118	1119	1120			

Lock - standard at top of unit add 'L' or optional centre lock add 'CL' Centre locking fillers add 2 pitches - see page 37 for cost of Fillers.	
	Code
Standard	add L
Centred	add CL

Counter balance weight - (CBW) required for free-standing units under 1023mm high	
	Code
	LF_CBW

Basic shells

457mm depth

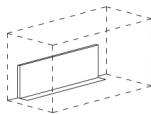


21 pitches accepts internal components to 651mm 713mm external height		22 pitches accepts internal components to 682mm 744mm external height		23 pitches accepts internal components to 731mm 775mm external height		24 pitches accepts internal components to 744mm 806mm external height	
width	code	code	code	code	code	code	code
800mm	8021	8022	8023	8024			
900mm	9021	9022	9023	9024			
914mm	9121	9122	9123	9124			
1000mm	1021	1022	1023	1024			
1067mm	1121	1122	1123	1124			

25 pitches accepts internal components to 775mm 837mm external height		26 pitches accepts internal components to 806mm 868mm external height		27 pitches accepts internal components to 837mm 899mm external height		28 pitches accepts internal components to 868mm 930mm external height	
width	code	code	code	code	code	code	code
800mm	8025	8026	8027	8028			
900mm	9025	9026	9027	9028			
914mm	9125	9126	9127	9128			
1000mm	1025	1026	1027	1028			
1067mm	1125	1126	1127	1128			

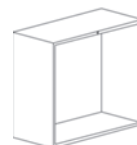
29 pitches accepts internal components to 899mm 961mm external height		30 pitches accepts internal components to 930mm 992mm external height		31 pitches accepts internal components to 961mm 1023mm external height		32 pitches accepts internal components to 992mm 1054mm external height	
width	code	code	code	code	code	code	code
800mm	8029	8030	8031	8032			
900mm	9029	9030	9031	9032			
914mm	9129	9130	9131	9132			
1000mm	1029	1030	1031	1032			
1067mm	1129	1130	1131	1132			

Lock - standard at top of unit add 'L' or optional centre lock add 'CL' Centre locking fillers add 2 pitches - see page 37 for cost of Fillers	
	Code
Standard	add L
Centred	add CL

Counter balance weight - (CBW) required for free-standing units under 1023mm high	
	Code
	LF_CBW

Basic shells

457mm depth

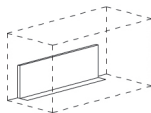


33 pitches accepts internal components to 1023mm 1085mm external height		34 pitches accepts internal components to 1054mm 1116mm external height		35 pitches accepts internal components to 1085mm 1147mm external height		36 pitches accepts internal components to 1116mm 1178mm external height	
Width	code	code	code	code	code	code	code
800mm	8033	8034	8035	8036			
900mm	9033	9034	9035	9036			
914mm	9133	9134	9135	9136			
1000mm	1033	1034	1035	1036			
1067mm	1133	1134	1135	1136			

37 pitches accepts internal components to 1147mm 1209mm external height		38 pitches accepts internal components to 1178mm 1240mm external height		39 pitches accepts internal components to 1209mm 1271mm external height		40 pitches accepts internal components to 1240mm 1302mm external height	
Width	code	code	code	code	code	code	code
800mm	8037	8038	8039	8040			
900mm	9037	9038	9039	9040			
914mm	9137	9138	9139	9140			
1000mm	1037	1038	1039	1040			
1067mm	1137	1138	1139	1140			

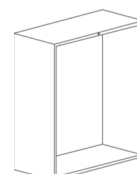
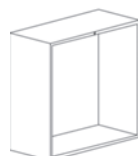
41 pitches accepts internal components to 1271mm 1333mm external height		42 pitches accepts internal components to 1302mm 1364mm external height		43 pitches accepts internal components to 1333mm 1395mm external height		44 pitches accepts internal components to 1364mm 1426mm external height	
Width	code	code	code	code	code	code	code
800mm	8041	8042	8043	8044			
900mm	9041	9042	9043	9044			
914mm	9141	9142	9143	9144			
1000mm	1041	1042	1043	1044			
1067mm	1141	1142	1143	1144			

Lock - standard at top of unit add 'L' or optional centre lock add 'CL' Centre locking fillers add 2 pitches- see page 37 for cost of Fillers	
	Code
Standard	add L above 40 pitches
Centred	add CL

Counter balance weight - (CBW) required for free-standing units under 1023mm high	
	Code
	LF_CBW

Basic shells

457mm depth

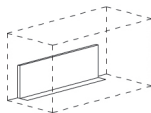


45 pitches accepts internal components to 1395mm 1457mm external height		46 pitches accepts internal components to 1426mm 1488mm external height		47 pitches accepts internal components to 1457mm 1519mm external height		48 pitches accepts internal components to 1488mm 1550mm external height	
width	code	code	code	code	code	code	code
800mm	8045	8046	8047	8048			
900mm	9045	9046	9047	9048			
914mm	9145	9146	9147	9148			
1000mm	1045	1046	1047	1048			
1067mm	1145	1146	1147	1148			

49 pitches accepts internal components to 1519mm 1581mm external height		50 pitches accepts internal components to 1550mm 1612mm external height		51 pitches accepts internal components to 1581mm 1643mm external height		52 pitches accepts internal components to 1612mm 1674mm external height	
width	code	code	code	code	code	code	code
800mm	8049	8050	8051	8052			
900mm	9049	9050	9051	9052			
914mm	9149	9150	9151	9152			
1000mm	1049	1050	1051	1052			

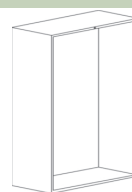
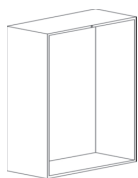
53 pitches accepts internal components to 1643mm 1705mm external height		54 pitches accepts internal components to 1674mm 1736mm external height		55 pitches accepts internal components to 1705mm 1767mm external height		56 pitches accepts internal components to 1736mm 1798mm external height	
width	code	code	code	code	code	code	code
800mm	8053	8054	8055	8056			
900mm	9053	9054	9055	9056			
914mm	9153	9154	9155	9156			
1000mm	1053	1054	1055	1056			

Lock - standard at top of unit add 'L' or optional centre lock add 'CL' Centre locking fillers add 2 pitches - see page 37 for cost of Fillers	
	Code
Standard	add L
Centred	add CL

Counter balance weight - (CBW) required for free-standing units under 1023mm high	
	Code
	LF_CBW

Basic shells

457mm depth

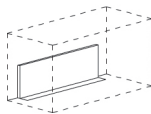


57 pitches accepts internal components to 1781mm 1829mm external height		58 pitches accepts internal components to 1798mm 1860mm external height		59 pitches accepts internal components to 1829mm 1891mm external height		60 pitches accepts internal components to 1860mm 1922mm external height	
width	code	code	code	code	code	code	code
800mm	8057	8058	8059	8059	8060	8060	8060
900mm	9057	9058	9059	9059	9060	9060	9060
914mm	9157	9158	9159	9159	9160	9160	9160
1000mm	1057	1058	1059	1059	1060	1060	1060

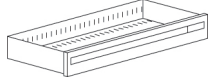
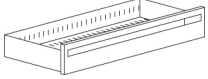
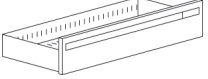
61 pitches accepts internal components to 1891mm 1953mm external height		62 pitches accepts internal components to 1922mm 1984mm external height		63 pitches accepts internal components to 1953mm 2015mm external height		64 pitches accepts internal components to 1984mm 2046mm external height	
width	code	code	code	code	code	code	code
800mm	8061	8062	8063	8063	8064	8064	8064
900mm	9061	9062	9063	9063	9064	9064	9064
914mm	9161	9162	9163	9163	9164	9164	9164
1000mm	1061	1062	1063	1063	1064	1064	1064

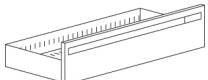
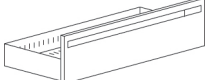
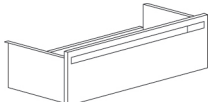
65 pitches accepts internal components to 2015mm 2077mm external height		66 pitches accepts internal components to 2046mm 2108mm external height		67 pitches accepts internal components to 2077mm 2139mm external height			
width	code	code	code	code	code		
800mm	8065	8066	8067	8067			
900mm	9065	9066	9067	9067			
914mm	9165	9166	9167	9167			
1000mm	1065	1066	1067	1067			

Lock - standard at top of unit add 'L' or optional centre lock add 'CL' Centre locking fillers add 2 pitches - see page 37 for cost of Fillers	
	Code
Standard	add L
Centred	add CL

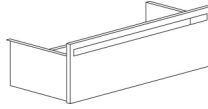
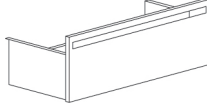
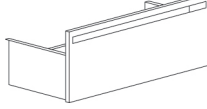
Counter balance weight - (CBW) required for free-standing units under 1023mm high	
	Code
	LF_CBW

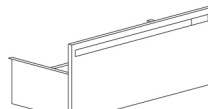
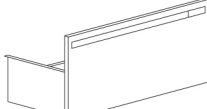


		124mm height / 4 pitches 114mm capacity height	155mm height / 5 pitches 145mm capacity height	186mm height / 6 pitches 176mm capacity height
				
		accepts plate dividers (150-PD) accommodates CD's, DVD's and videos	accepts plate dividers (150-PD) accommodates CD's, DVD's and videos	accepts plate dividers (150-PD) accommodates CD's, DVD's and videos
width				
overall	capacity	code	code	code
800mm	718mm	8004-DR	8005-DR	8006-DR
900mm	818mm	9004-DR	9005-DR	9006-DR
914mm	832mm	9104-DR	9105-DR	9106-DR
1000mm	918mm	1004-DR	1005-DR	1006-DR
1067mm	985mm	1104-DR	1105-DR	1106-DR

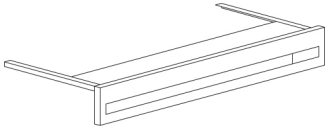
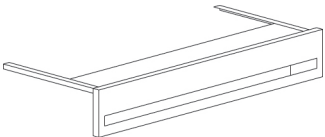
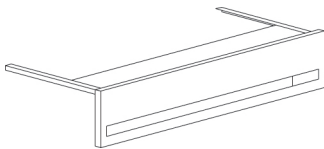
		217mm height / 7 pitches 207mm capacity height	248mm height / 8 pitches 238mm capacity height	279mm height / 9 pitches 263mm capacity height
				
		accepts plate dividers (150-PD) accommodates CD's, DVD's and videos	accepts plate dividers (150-PD) accommodates CD's, DVD's and videos	accepts plate dividers (300-PD) can file A4 or foolscap suspended files requires folder bars to suspend files
width				
overall	capacity	code	code	code
800mm	718mm	8007-DR	8008-DR	8009-DR
900mm	818mm	9007-DR	9008-DR	9009-DR
914mm	832mm	9107-DR	9108-DR	9109-DR
1000mm	918mm	1007-DR	1008-DR	1009-DR
1067mm	985mm	1107-DR	1108-DR	1109-DR

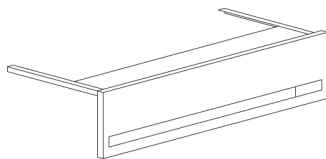
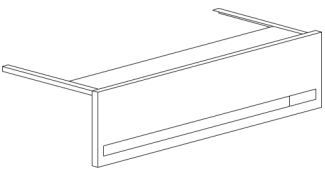
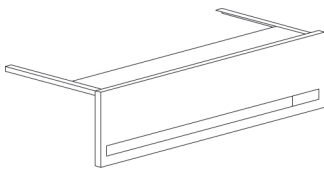
Drawers include all fixings to install components
Accessories need to be specified separately

		310mm height / 10 pitches 294mm capacity height		341mm height / 11 pitches 325mm capacity height		372mm height / 12 pitches 356mm capacity height	
							
		accepts plate dividers (300-PD) can file lever arch or box files can file A4 or foolscap suspended files require folder bars to suspend files		accepts plate dividers (300-PD) can file lever arch or box files can file A4 or foolscap suspended files require folder bars to suspend files		accepts plate dividers (300-PD) can file lever arch or box files can file A4 or foolscap suspended files require folder bars to suspend files	
width							
overall	capacity	code		code		code	
800mm	718mm	8010-DR		8011-DR		8012-DR	
900mm	818mm	9010-DR		9011-DR		9012-DR	
914mm	832mm	9110-DR		9111-DR		9112-DR	
1000mm	918mm	1010-DR		1011-DR		1012-DR	
1067mm	985mm	1110-DR		1111-DR		1112-DR	

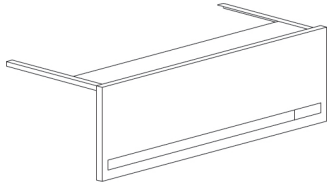
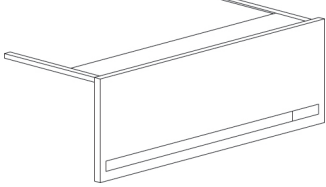
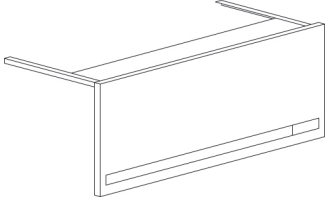
		403mm height / 13 pitches 387mm capacity height		434mm height / 14 pitches 418mm capacity height	
					
		accepts plate dividers (300-PD) can file lever arch or box files can file A4 or foolscap suspended files require folder bars to suspend files		accepts plate dividers (300-PD) can file lever arch or box files can file A4 or foolscap suspended files require folder bars to suspend files	
width					
overall	capacity	code		code	
800mm	718mm	8013-DR		8014-DR	
900mm	818mm	9013-DR		9014-DR	
914mm	832mm	9113-DR		9114-DR	
1000mm	918mm	1013-DR		1014-DR	
1067mm	985mm	1113-DR		1114-DR	

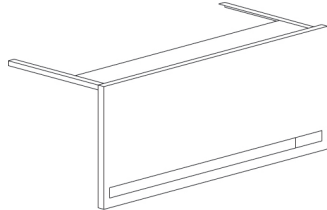
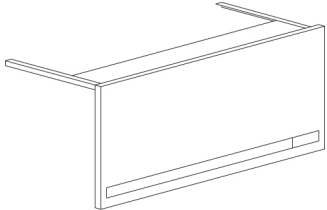
Drawers include all fixings to install components
Accessories need to be specified separately

124mm height / 4 pitches		155mm height / 5 pitches		186mm height / 6 pitches	
					
width	code	width	code	width	code
800mm	8004-RD	800mm	8005-RD	800mm	8006-RD
900mm	9004-RD	900mm	9005-RD	900mm	9006-RD
914mm	9104-RD	914mm	9105-RD	914mm	9106-RD
1000mm	1004-RD	1000mm	1005-RD	1000mm	1006-RD
1067mm	1104-RD	1067mm	1105-RD	1067mm	1106-RD

217mm height / 7 pitches		248mm height / 8 pitches		279mm height / 9 pitches	
					
width	code	width	code	width	code
800mm	8007-RD	800mm	8008-RD	800mm	8009-RD
900mm	9007-RD	900mm	9008-RD	900mm	9009-RD
914mm	9107-RD	914mm	9108-RD	914mm	9109-RD
1000mm	1007-RD	1000mm	1008-RD	1000mm	1009-RD
1067mm	1107-RD	1067mm	1108-RD	1067mm	1109-RD

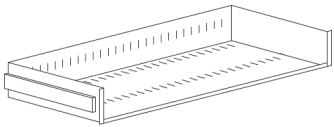
Receding doors include all fixings to install components
 Accessories need to be specified separately

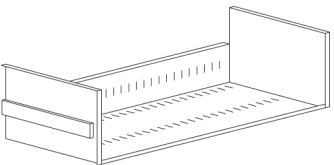
310mm height / 10 pitches		341mm height / 11 pitches		372mm height / 12 pitches	
					
width	code	code	code	code	code
800mm	8010-RD	8011-RD	8012-RD		
900mm	9010-RD	9011-RD	9012-RD		
914mm	9110-RD	9111-RD	9112-RD		
1000mm	1010-RD	1011-RD	1012-RD		
1067mm	1110-RD	1111-RD	1112-RD		

403mm height / 13 pitches		434mm height / 14 pitches		
				
width	code	code		
800mm	8013-RD	8014-RD		
900mm	9013-RD	9014-RD		
914mm	9113-RD	9114-RD		
1000mm	1013-RD	1014-RD		
1067mm	1113-RD	1114-RD		

Receding doors include all fixings to install components
 Accessories need to be specified separately

Supplied with runners
Roll-out shelves feature a 12.5mm lip at the front

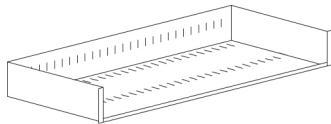
<p>124mm height / 4 pitches</p>  <p>Accepts plate dividers (150-PD) Can be installed behind receding doors in sizes 155mm - 434mm (in 31mm increments, 5 - 14 pitches). See page 91 for filing heights Two shelves can be installed behind receding doors in sizes 279mm - 434mm (in 31mm increments, 9 - 14 pitches). See page 91 for filing heights</p>	width		
	overall	capacity	code
	800mm	718mm	8004-RS
	900mm	818mm	9004-RS
	914mm	832mm	9104-RS
	1000mm	918mm	1004-RS
	1067mm	985mm	1104-RS

<p>279mm height / 9 pitches</p>  <p>Accepts plate dividers (300-PD) Can be installed behind receding doors in sizes 279mm - 434mm (in 31mm increments, 9 - 14 pitches). See page 91 for filing heights Accommodates A4 and foolscap filing sizes Folder bars cannot be used on a 279mm roll-out shelf positioned behind a 279mm receding door</p>	width		
	overall	capacity	code
	800mm	718mm	8009-RS
	900mm	818mm	9009-RS
	914mm	832mm	9109-RS
	1000mm	918mm	1009-RS
	1067mm	985mm	1109-RS

Roll-out shelves include all fixings to install components
Accessories need to be specified separately

As roll-out shelf but supplied without runners
Fixed drawer bodies feature a 12.5mm lip at the front

124mm height / 4 pitches



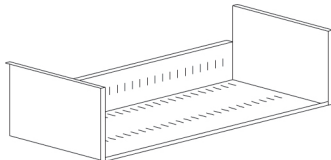
width		
overall	capacity	code
800mm	718mm	8004-FDB
900mm	818mm	9004-FDB
914mm	832mm	9104-FDB
1000mm	918mm	1004-FDB
1067mm	985mm	1104-FDB

Accepts plate dividers (150-PD)

Can be installed behind receding doors in sizes 155mm - 434mm (in 31mm increments, 5 - 14 pitches). See page 91 for filing heights

Two drawer bodies may be installed behind receding doors in sizes 279mm - 434mm (in 31mm increments, 9 - 14 pitches). See page 91 for filing heights

279mm height / 9 pitches



width		
overall	capacity	code
800mm	718mm	8009-FDB
900mm	818mm	9009-FDB
914mm	832mm	9109-FDB
1000mm	918mm	1009-FDB
1067mm	985mm	1109-FDB

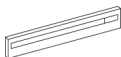
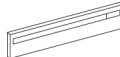


Accepts plate dividers (300-PD)





Can be installed behind receding doors in sizes 310mm - 434mm (in 31mm increments, 10 - 14 pitches). See page 91 for filing heights




Accommodates A4 and foolscap filing sizes and accepts all internal components

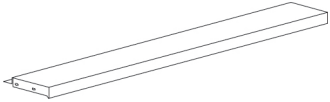
Drawers include all fixings to install components

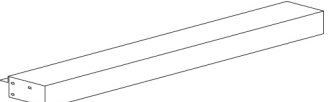
Accessories need to be specified separately

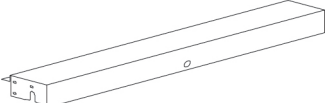
124mm height 4 pitches		155mm height 5 pitches		186mm height 6 pitches		217mm height 7 pitches	
							
width	code	width	code	width	code	width	code
800mm	8004-DF	800mm	8005-DF	800mm	8006-DF	800mm	8007-DF
900mm	9004-DF	900mm	9005-DF	900mm	9006-DF	900mm	9007-DF
914mm	9104-DF	914mm	9105-DF	914mm	9106-DF	914mm	9107-DF
1000mm	1004-DF	1000mm	1005-DF	1000mm	1006-DF	1000mm	1007-DF
1067mm	1104-DF	1067mm	1105-DF	1067mm	1106-DF	1067mm	1107-DF

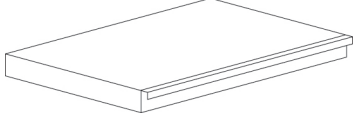
248mm height 8 pitches		279mm height 9 pitches		310mm height 10 pitches		341mm height 11 pitches	
							
width	code	width	code	width	code	width	code
800mm	8008-DF	800mm	8009-DF	800mm	8010-DF	800mm	8011-DF
900mm	9008-DF	900mm	9009-DF	900mm	9010-DF	900mm	9011-DF
914mm	9108-DF	914mm	9109-DF	914mm	9110-DF	914mm	9111-DF
1000mm	1008-DF	1000mm	1009-DF	1000mm	1010-DF	1000mm	1011-DF
1067mm	1108-DF	1067mm	1109-DF	1067mm	1110-DF	1067mm	1111-DF

372mm height 12 pitches		403mm height 13 pitches		434mm height 14 pitches			
							
width	code	width	code	width	code		
800mm	8012-DF	800mm	8013-DF	800mm	8014-DF		
900mm	9012-DF	900mm	9013-DF	900mm	9014-DF		
914mm	9112-DF	914mm	9113-DF	914mm	9114-DF		
1000mm	1012-DF	1000mm	1013-DF	1000mm	1014-DF		
1067mm	1112-DF	1067mm	1113-DF	1067mm	1114-DF		

<p>31mm height / 1 pitch</p>  <p>Filler panel Used in 31mm openings where no insert is required</p>	width	code	
	800mm	8001-F	
	900mm	9001-F	
	914mm	9101-F	
	1000mm	1001-F	
	1067mm	1101-F	

<p>62mm height / 2 pitches</p>  <p>Filler panel Used in 62mm openings where no insert is required</p>	width	code	
	800mm	8002-F	
	900mm	9002-F	
	914mm	9102-F	
	1000mm	1002-F	
	1067mm	1102-F	

<p>62mm height / 2 pitches</p>  <p>Locking filler panel Used in 62mm openings where no insert is required, provides ability for central locking</p>	width	code	
	800mm	8002-LF	
	900mm	9002-LF	
	914mm	9102-LF	
	1000mm	1002-LF	
	1067mm	1102-LF	

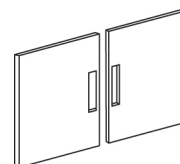
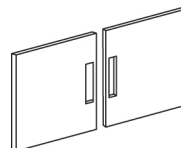
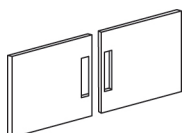
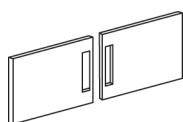
<p>62mm height / 2 pitches</p>  <p>Posting shelf Used in 62mm openings where no insert or filler panel is required</p>	width	code	
	800mm	8002-PS	
	900mm	9002-PS	
	914mm	9102-PS	
	1000mm	1002-PS	
	1067mm	1102-PS	

Filler panels and posting shelves include all fixings to install components

Width shown is total width of unit

If the cupboard section is above drawers, a multi-unit slotted shelf or security shelf must be ordered, see pages 44 & 53

279mm / 9 pitches door height 341mm unit height		310mm / 10 pitches door height 372mm unit height		341mm / 11 pitches door height 403mm unit height		372mm / 12 pitches door height 434mm unit height	
width	code	code	code	code	code	code	code
800mm	8009-HCD	8010-HCD	8011-HCD	8012-HCD			
900mm	9009-HCD	9010-HCD	9011-HCD	9012-HCD			
914mm	9109-HCD	9110-HCD	9111-HCD	9112-HCD			
1000mm	1009-HCD	1010-HCD	1011-HCD	1012-HCD			
1067mm	1109-HCD	1110-HCD	1111-HCD	1112-HCD			



403mm / 13 pitches door height 465mm unit height		434mm / 14 pitches door height 496mm unit height		465mm / 15 pitches door height 527mm unit height		496mm / 16 pitches door height 558mm unit height	
width	code	code	code	code	code	code	code
800mm	8013-HCD	8014-HCD	8015-HCD	8016-HCD			
900mm	9013-HCD	9014-HCD	9015-HCD	9016-HCD			
914mm	9113-HCD	9114-HCD	9115-HCD	9116-HCD			
1000mm	1013-HCD	1014-HCD	1015-HCD	1016-HCD			
1067mm	1113-HCD	1114-HCD	1115-HCD	1116-HCD			

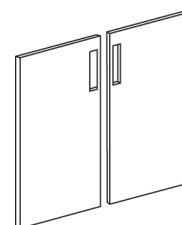
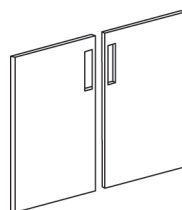
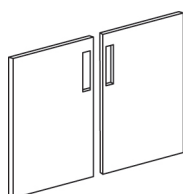
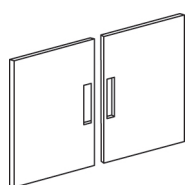
527mm / 17 pitches door height 589mm unit height		558mm / 18 pitches door height 620mm unit height		589mm / 19 pitches door height 651mm unit height		620mm / 20 pitches door height 682mm unit height	
width	code	code	code	code	code	code	code
800mm	8017-HCD	8018-HCD	8019-HCD	8020-HCD			
900mm	9017-HCD	9018-HCD	9019-HCD	9020-HCD			
914mm	9117-HCD	9118-HCD	9119-HCD	9120-HCD			
1000mm	1017-HCD	1018-HCD	1019-HCD	1020-HCD			
1067mm	1117-HCD	1118-HCD	1119-HCD	1120-HCD			

Cupboard doors are complete with lock and include all fixings to install components

Width shown is total width of unit

If the cupboard section is above drawers, a multi-unit slotted shelf or security shelf must be ordered, see pages 44 & 53

651mm / 21 pitches door height 713mm unit height		682mm / 22 pitches door height 744mm unit height		713mm / 23 pitches door height 775mm unit height		744mm / 24 pitches door height 806mm unit height	
width	code	code	code	code	code	code	code
800mm	8021-HCD	8022-HCD	8023-HCD	8024-HCD			
900mm	9021-HCD	9022-HCD	9023-HCD	9024-HCD			
914mm	9121-HCD	9122-HCD	9123-HCD	9124-HCD			
1000mm	1021-HCD	1022-HCD	1023-HCD	1024-HCD			
1067mm	1121-HCD	1122-HCD	1123-HCD	1124-HCD			



775mm / 25 pitches door height 837mm unit height		806mm / 26 pitches door height 868mm unit height		837mm / 27 pitches door height 899mm unit height		868mm / 28 pitches door height 930mm unit height	
width	code	code	code	code	code	code	code
800mm	8025-HCD	8026-HCD	8027-HCD	8028-HCD			
900mm	9025-HCD	9026-HCD	9027-HCD	9028-HCD			
914mm	9125-HCD	9126-HCD	9127-HCD	9128-HCD			
1000mm	1025-HCD	1026-HCD	1027-HCD	1028-HCD			
1067mm	1125-HCD	1126-HCD	1127-HCD	1128-HCD			

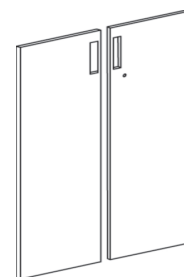
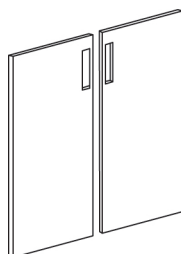
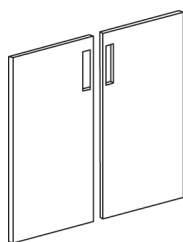
899mm / 29 pitches door height 961mm unit height		930mm / 30 pitches door height 992mm unit height		961mm / 31 pitches door height 1023mm unit height		992mm / 32 pitches door height 1054mm unit height	
width	code	code	code	code	code	code	code
800mm	8029-HCD	8030-HCD	8031-HCD	8032-HCD			
900mm	9029-HCD	9030-HCD	9031-HCD	9032-HCD			
914mm	9129-HCD	9130-HCD	9131-HCD	9132-HCD			
1000mm	1029-HCD	1030-HCD	1031-HCD	1032-HCD			
1067mm	1120-HCD	1130-HCD	1131-HCD	1132-HCD			

Cupboard doors are complete with lock and include all fixings to install components

Width shown is total width of unit

If the cupboard section is above drawers, a multi-unit slotted shelf or security shelf must be ordered, see pages 44 & 53

1023mm / 33 pitches door height 1085mm unit height		1054mm / 34 pitches door height 1116mm unit height		1085mm / 35 pitches door height 1147mm unit height		1116mm / 36 pitches door height 1178mm unit height	
width	code	code	code	code	code	code	code
800mm	8033-HCD	8034-HCD	8035-HCD	8036-HCD			
900mm	9033-HCD	9034-HCD	9035-HCD	9036-HCD			
914mm	9133-HCD	9134-HCD	9135-HCD	9136-HCD			
1000mm	1033-HCD	1034-HCD	1035-HCD	1036-HCD			
1067mm	1133-HCD	1134-HCD	1135-HCD	1136-HCD			



1147mm / 37 pitches door height 1209mm unit height		1178mm / 38 pitches door height 1240mm unit height		1209mm / 39 pitches door height 1271mm unit height		1240mm / 40 pitches door height 1302mm unit height	
width	code	code	code	code	code	code	code
800mm	8037-HCD	8038-HCD	8039-HCD	8040-HCD			
900mm	9037-HCD	9038-HCD	9039-HCD	9040-HCD			
914mm	9137-HCD	9138-HCD	9139-HCD	9140-HCD			
1000mm	1037-HCD	1038-HCD	1039-HCD	1040-HCD			
1067mm	1137-HCD	1138-HCD	1139-HCD	1140-HCD			

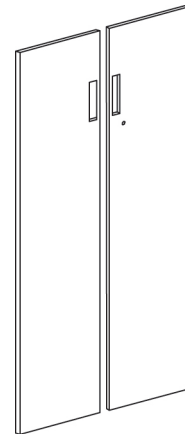
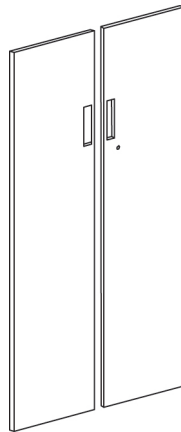
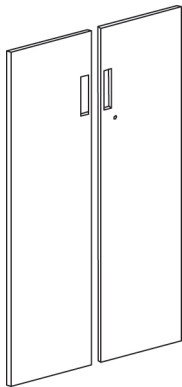
1271mm / 41 pitches door height 1333mm unit height		1302mm / 42 pitches door height 1364mm unit height		1333mm / 43 pitches door height 1395mm unit height		1364mm / 44 pitches door height 1426mm unit height	
width	code	code	code	code	code	code	code
800mm	8041-HCD	8042-HCD	8043-HCD	8044-HCD			
900mm	9041-HCD	9042-HCD	9043-HCD	9044-HCD			
914mm	9141-HCD	9142-HCD	9143-HCD	9144-HCD			
1000mm	1041-HCD	1042-HCD	1043-HCD	1044-HCD			
1067mm	1141-HCD	1142-HCD	1143-HCD	1144-HCD			

Cupboard doors are complete with lock and include all fixings to install components

Width shown is total width of unit

If the cupboard section is above drawers, a multi-unit slotted shelf or security shelf must be ordered, see pages 44 & 53

1395mm / 45 pitches door height 1457mm unit height		1426mm / 46 pitches door height 1488mm unit height		1457mm / 47 pitches door height 1519mm unit height		1488mm / 48 pitches door height 1550mm unit height	
width	code	code	code	code	code	code	code
800mm	8045-HCD	8046-HCD	8047-HCD	8048-HCD			
900mm	9045-HCD	9046-HCD	9047-HCD	9048-HCD			
914mm	9145-HCD	9146-HCD	9147-HCD	9148-HCD			
1000mm	1045-HCD	1046-HCD	1047-HCD	1048-HCD			
1067mm	1145-HCD	1146-HCD	1147-HCD	1148-HCD			



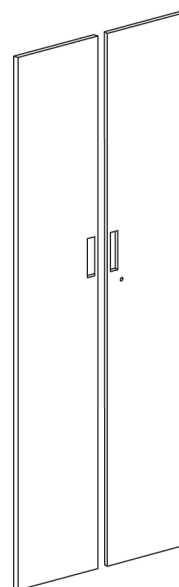
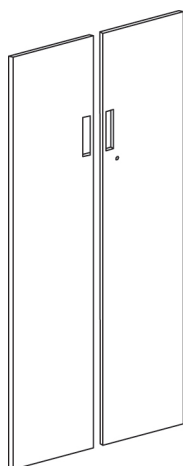
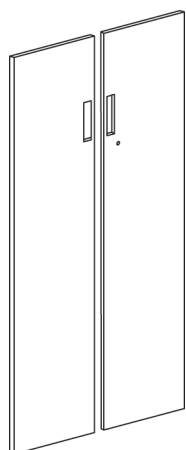
1519mm / 49 pitches door height 1581mm unit height		1550mm / 50 pitches door height 1612mm unit height		1581mm / 51 pitches door height 1643mm unit height		1612mm / 52 pitches door height 1674mm unit height	
width	code	code	code	code	code	code	code
800mm	8049-HCD	8050-HCD	8051-HCD	8052-HCD			
900mm	9049-HCD	9050-HCD	9051-HCD	9052-HCD			
914mm	9149-HCD	9150-HCD	9151-HCD	9152-HCD			
1000mm	1049-HCD	1050-HCD	1051-HCD	1052-HCD			

Cupboard doors are complete with lock and include all fixings to install components

Width shown is total width of unit

If the cupboard section is above drawers, a multi-unit slotted shelf or security shelf must be ordered, see pages 44 & 53

1643mm / 53 pitches door height 1705mm unit height		1674mm / 54 pitches door height 1736mm unit height		1705mm / 55 pitches door height 1767mm unit height		1736mm / 56 pitches door height 1798mm unit height	
width	code	code	code	code	code	code	code
800mm	8053-HCD	8054-HCD	8055-HCD	8056-HCD			
900mm	9053-HCD	9054-HCD	9055-HCD	9056-HCD			
914mm	9153-HCD	9154-HCD	9155-HCD	9156-HCD			
1000mm	1053-HCD	1054-HCD	1055-HCD	1056-HCD			



1767mm / 57 pitches door height 1829mm unit height		1798mm / 58 pitches door height 1860mm unit height		1829mm / 59 pitches door height 1891mm unit height		1860mm / 60 pitches door height 1922mm unit height	
width	code	code	code	code	code	code	code
800mm	8057-HCD	8058-HCD	8059-HCD	8060-HCD			
900mm	9057-HCD	9058-HCD	9059-HCD	9060-HCD			
914mm	9157-HCD	9158-HCD	9159-HCD	9160-HCD			
1000mm	1057-HCD	1058-HCD	1059-HCD	1060-HCD			

Cupboard doors are complete with lock and include all fixings to install components

Width shown is total width of unit

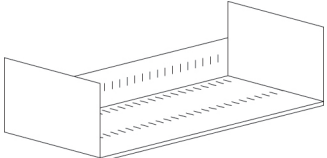
If the cupboard section is above drawers, a multi-unit slotted shelf or security shelf must be ordered, see pages 44 & 53

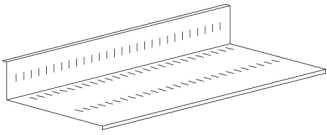
1891mm / 61 pitches door height 1953mm unit height		1922mm / 62 pitches door height 1984mm unit height		1953mm / 63 pitches door height 2015mm unit height		1984mm / 64 pitches door height 2046mm unit height	
width	code	code	code	code	code	code	code
800mm	8061-HCD	8062-HCD	8063-HCD	8064-HCD			
900mm	9061-HCD	9062-HCD	9063-HCD	9064-HCD			
914mm	9161-HCD	9162-HCD	9163-HCD	9164-HCD			
1000mm	1061-HCD	1062-HCD	1063-HCD	1064-HCD			

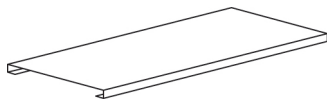


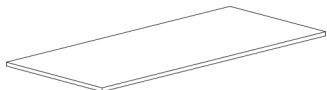
2015mm / 65 pitches door height 2077mm unit height		2046mm / 66 pitches door height 2108mm unit height		2077mm / 67 pitches door height 2139mm unit height			
width	code	code	code	code	code		
800mm	8065-HCD	8066-HCD	8067-HCD				
900mm	9065-HCD	9066-HCD	9067-HCD				
914mm	9165-HCD	9166-HCD	9167-HCD				
1000mm	1065-HCD	1066-HCD	1067-HCD				

Cupboard doors are complete with lock and include all fixings to install components

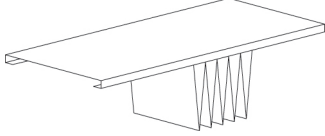
<p>129mm height / 350mm depth</p>  <p>Multi-unit slotted shelf Accepts plate dividers (300-PD) Can be used directly above a filler panel to provide a slotted base to a cupboard section</p>	width		
	overall	capacity	code
	800mm	760mm	80-MUSS
	900mm	860mm	90-MUSS
	914mm	874mm	91-MUSS
	1000mm	960mm	10-MUSS
	1067mm	1027mm	11-MUSS

<p>129mm height / 390mm depth</p>  <p>Slotted shelf Accepts plate dividers (300-PD) Can be installed behind cupboard doors and all receding doors except 124mm and 155mm (see page 91 for filing heights) Vertical position within a unit is adjustable on a 10mm increment</p>	width		
	overall	capacity	code
	800mm	760mm	80-SS
	900mm	860mm	90-SS
	914mm	874mm	91-SS
	1000mm	960mm	10-SS
	1067mm	1027mm	11-SS

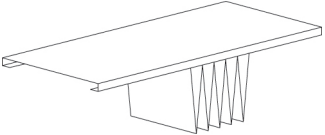
<p>25mm height / 410mm depth</p>  <p>Blank shelf Can be installed behind cupboard doors and all receding doors (see page 91 for filing heights) Vertical position within a unit is adjustable on a 10mm increment</p>	width		
	overall	capacity	code
	800mm	760mm	80-BS
	900mm	860mm	90-BS
	914mm	874mm	91-BS
	1000mm	960mm	10-BS
	1067mm	1027mm	11-BS

<p>10mm height / 410mm depth</p>  <p>Thin blank shelf Can be installed behind cupboard doors and all receding doors (see page 91 for filing heights) Vertical position within a unit is adjustable on a 10mm increment</p>	width		
	overall	capacity	code
	800mm	760mm	80-TBS
	900mm	860mm	90-TBS
	914mm	874mm	91-TBS
	1000mm	960mm	10-TBS
	1067mm	1027mm	11-TBS


Shelves include all fixings to install components
Accessories need to be specified separately

25mm height / 410mm depth 	width			
	overall	capacity	filing	code
	800mm	760mm	722mm	80-CBS
	900mm	860mm	822mm	90-CBS
	914mm	874mm	836mm	91-CBS
	1000mm	960mm	922mm	10-CBS
	1067mm	1027mm	989mm	11-CBS

Combination filing shelf
 Accepts files with 328mm hanging centres
 Can be installed behind cupboard doors
 Vertical position within a unit is adjustable on a 10mm increment

25mm height / 410mm depth 	width			
	overall	capacity	filing	code
	800mm	760mm	722mm	80-ACBS
	900mm	860mm	822mm	90-ACBS
	914mm	874mm	836mm	91-ACBS
	1000mm	960mm	922mm	10-ACBS
	1067mm	1027mm	989mm	11-ACBS

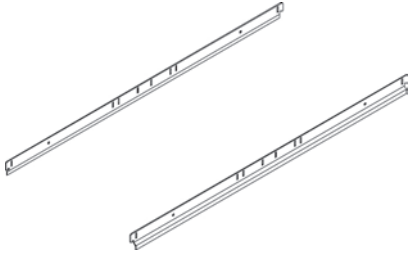
Combination filing shelf adjustable
 Accommodates most filing sizes
 Can be installed behind cupboard doors
 Vertical position within a unit is adjustable on a 10mm increment

	overall	capacity	code
	800mm	8 - 10 coats	80-CR
	900mm	10 - 12 coats	90-CR
	914mm	10 - 12 coats	91-CR
	1000mm	12 - 14 coats	10-CR
	1067mm	13 - 15 coats	11-CR

Coat rod
 Can be installed behind cupboard doors
 Bright zinc chromate finish
Options: A telescopic Coat Rod is also available for front-to-back hanging

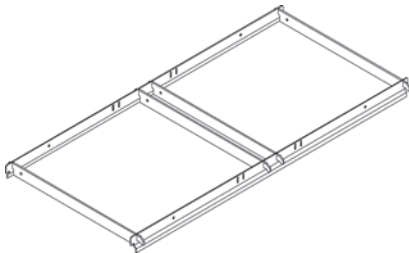
Shelves and coat rods include all fixings to install components
 Accessories need to be specified separately

For detailed filing capacity of each folder bar set see pages 86 & 87.
All components are in a black finish



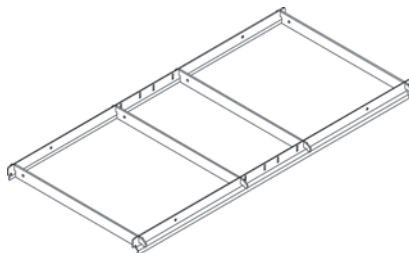
size	capacity	code
800mm	718mm	80-FBA
900mm	818mm	90-FBA
914mm	832mm	91-FBA
1000mm	918mm	10-FBA
1067mm	985mm	11-FBA

Folder bars type 'A'
Supplied in pairs
Files one row of A4 or foolscap side-to-side
Can be installed into drawer sizes 279mm - 434mm (in 31mm increments, 9 - 14 pitches)
Can be installed into 279mm roll-out shelf - folder bars cannot be used on a 279mm roll-out shelf positioned behind a 279mm Receding door



size	capacity	code
800mm (1 set FBF bars)	702mm	80-FBB
900mm (1 set FBF bars)	802mm	90-FBB
914mm (2 sets FBF bars)	768mm	91-FBB
1000mm (2 sets FBF bars)	854mm	10-FBB
1067mm (2 sets of FBF bars)	927mm	11-FBB

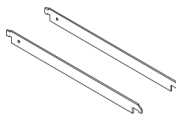
Folder bars type 'B'
Supplied in a set of 4
Files one row of foolscap front-to-back in 800mm and 900mm wide units
Files two rows of foolscap front-to-back in 914mm, 1000mm and 1067mm wide units
Can be installed into drawer sizes 279mm - 434mm (in 31mm increments, 9 - 14 pitches)
Can be installed into 279mm roll-out shelf - folder bars cannot be used on a 279mm roll-out shelf positioned behind a 279mm Receding door



size	capacity	code
800mm	768mm	80-FBC
900mm	768mm	90-FBC
914mm	768mm	91-FBC
1000mm	768mm	10-FBC
1067mm	768mm	11-FBC

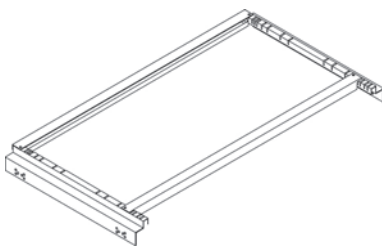
Folder bars type 'C'
Supplied in pairs
Files two rows of A4 front-to-back in all unit widths
Can be installed into drawer sizes 279mm - 434mm (in 31mm increments, 9 - 14 pitches)
Can be installed into 279mm roll-out shelf - folder bars cannot be used on a 279mm roll-out shelf positioned behind a 279mm Receding door

All components are in a black finish



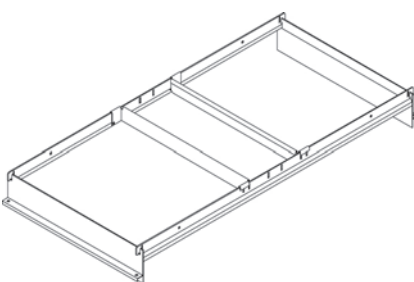
	code
	FBF

Folder bars type 'F' (front-to-back)
 Supplied in pairs, two bars required per row of filing
 Converts side-to-side filing to front-to-back



size	capacity	code
800mm	642mm	80-FBJ
900mm	742mm	90-FBJ
914mm	756mm	91-FBJ
1000mm	942mm	10-FBJ
1067mm	1009mm	11-FBJ

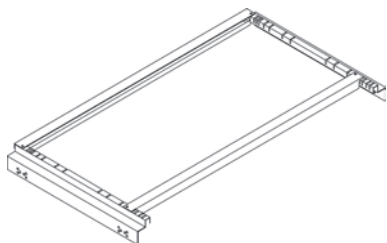
Folder bars type 'J'
 Installs behind cupboard doors and Receding door sizes 310mm - 434mm (in 31mm increments, 10 - 14 pitches)
 Files A4 or foolscap front access hanging files
 A hanging file pocket for use behind a 310mm Receding door must measure no more than 273mm from the underside of the hook to the bottom edge of the fully extended empty pocket
 Cupboard door hinges may restrict positioning of FBJ folder bars



size	capacity	code
800mm	384mm	80-FBE
900mm	384mm	90-FBE
914mm	768mm	91-FBE
1000mm	768mm	10-FBE
1067mm	768mm	11-FBE

Folder bars type 'E'
 EDP interior for computer printouts
 Can be installed into drawer sizes 372mm - 434mm (in 31mm increments, 12 - 14 pitches)
 Files one row front-to-back in 800mm & 900mm wide units
 Files two rows front-to-back in 914mm, 1000mm & 1067mm wide units

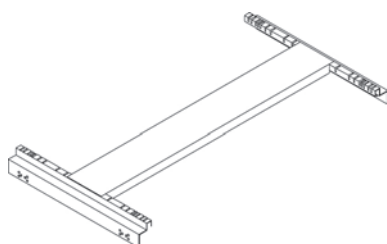
All components are in a black finish



size	capacity	code
800mm	642mm	80-EDP
900mm	742mm	90-EDP
914mm	756mm	91-EDP
1000mm	942mm	10-EDP
1067mm	1009mm	11-EDP

EDP frame

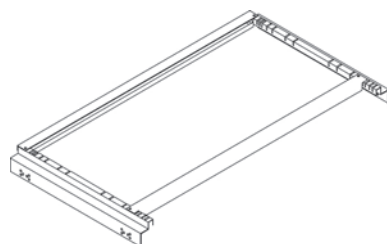
Installs behind cupboard doors and Receding doors
Files Accodata binder hangers
Cupboard door hinges may restrict positioning of EDP frames



size	capacity	code
800mm	642mm	80-SHR
900mm	742mm	90-SHR
914mm	756mm	91-SHR
1000mm	942mm	10-SHR
1067mm	1009mm	11-SHR

Single hanging rail

Installs behind cupboard doors and Receding doors
Files centre hanging files side-to-side
Cupboard door hinges restrict positioning of hanging rails

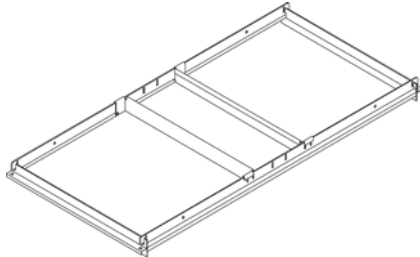


size	capacity	code
800mm	642mm	80-FBK
900mm	742mm	90-FBK
914mm	756mm	91-FBK
1000mm	942mm	10-FBK
1067mm	1009mm	11-FBK

Folder bars type 'K'

Installs behind cupboard doors and Receding doors
Files A4 or foolscap hanging front access files which require a round support bar
Cupboard door hinges restrict positioning of FBK folder bars

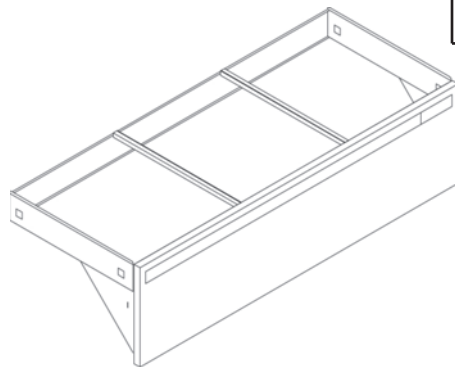
All components are in a black finish



size	capacity	code
800mm	768mm	80-FBL
900mm	768mm	90-FBL
914mm	768mm	91-FBL
1000mm	768mm	10-FBL
1067mm	768mm	11-FBL

Folder bars type 'L'

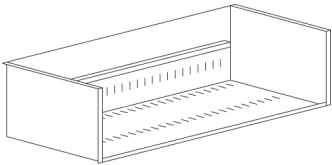
Files European depth suspended pockets
 Can be installed into drawer sizes 310mm - 434mm (in 31mm increments, 10 - 14 pitches)
 Files two rows of A4 front-to-back in all unit widths





size	capacity	code
1067mm x 279mm	642mm	11-FFM

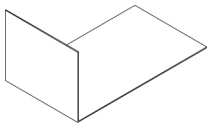
File frame type 'M'

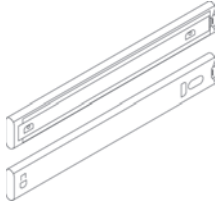
Supplied with runners. Fitted with a 279mm / 9 pitch front, painted to customers requirements
 Files three rows of A4 front-to-back in 1067mm wide units
 File pockets used with this frame must not exceed 251mm from the top of the label to the bottom of the pocket

 <p>Rear extension plate (plate only - not drawer body) Used to extend the height of a drawer rear panel when a drawer is used for bulk storage - plate only supplied</p>	width	height	code
	800mm	114mm	80-REP
	900mm	114mm	90-REP
	914mm	114mm	91-REP
	1000mm	114mm	10-REP
	1067mm	114mm	11-REP

 <p>Plate dividers 150mm Supplied in a set of three</p>	code
	150-PD
For drawers and roll-out shelves 124mm - 248mm (in 31mm increments, 4 - 8 pitches)	

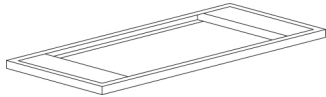
 <p>Plate dividers 300mm Supplied in a set of three</p>	code
	300-PD
For drawers and roll-out shelves 279mm - 434mm (in 31mm increments, 9 - 14 pitches) Also fits slotted & multi-unit shelves	

 <p>Retaining angle Supplied in a set of three</p>	code
	RA
For use with roll-out shelves incorporating plate dividers Prevents stored items from falling over. Dimensions may vary according to client specification (up to 152mm wide)	

 <p>Runners</p>	code
	SUSP
To convert fixed drawer bodies to roll-out shelves	

<p>Stacking kits</p>	code	
	Top-to-top stacking kit	TT-STK
	Top-to-bottom stacking kit	TB-STK
	Pre-drilled holes for stacking units Used when vertically stacking units	PRE-STK

15mm height / 457mm depth



width	code
800mm	80-F-15
900mm	90-F-15
914mm	91-F-15
1000mm	10-F-15
1067mm	11-F-15

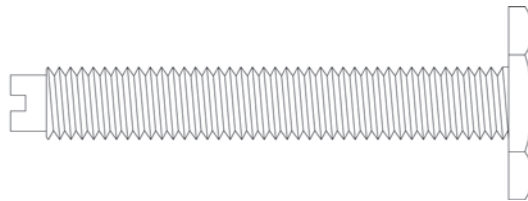
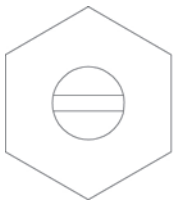
Plinth base

Attaches to lateral files and cupboards

Maine manufacture plinths to any size to meet customer requirements

code

XLG



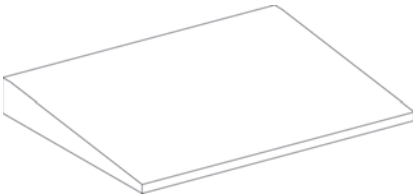
Extended levelling guide

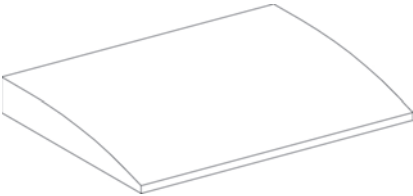
Supplied in a pack of four

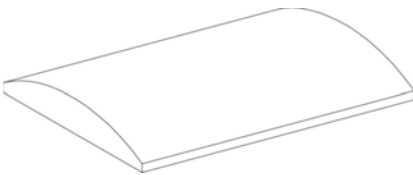
Provides additional 50mm height adjustment to units and will also fit plinth above

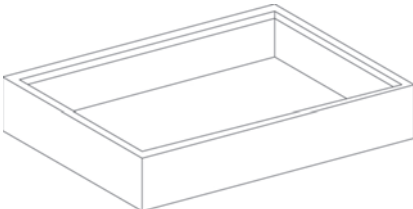
Each base includes all fixings to install components

Tops & planters

<p>100mm height / 457mm depth</p>  <p>Sloping top</p>	width	code
	800mm	80-ST
	900mm	90-ST
	914mm	91-ST
	1000mm	10-ST
	1067mm	11-ST

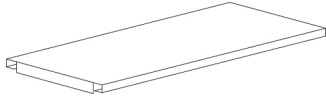
<p>100mm height / 457mm depth</p>  <p>Curved top</p>	width	code
	800mm	80-CT
	900mm	90-CT
	914mm	91-CT
	1000mm	10-CT
	1067mm	11-CT

<p>100mm height / 457mm depth</p>  <p>Domed top</p>	width	code
	800mm	80-DT
	900mm	90-DT
	914mm	91-DT
	1000mm	10-DT
	1067mm	11-DT

<p>150mm height / 457mm depth</p>  <p>Planter box</p> <p>Planter boxes do not hold soil or water and therefore require a liner. Liners not supplied by Maine.</p>	width	code
	800mm	80-PB
	900mm	90-PB
	914mm	91-PB
	1000mm	10-PB
	1067mm	11-PB

Each component includes all fixings required for installation

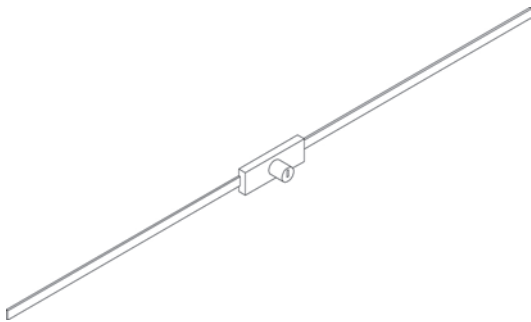
15mm height



width		depth			
overall	capacity	overall	capacity	code	
800mm	760mm	457mm	430mm	80-SYS	
900mm	860mm	457mm	430mm	90-SYS	
914mm	874mm	457mm	430mm	91-SYS	
1000mm	960mm	457mm	430mm	10-SYS	
1067mm	1027mm	457mm	430mm	11-SYS	

Security shelf

Provides additional security for shared units
Used between drawers to prevent access to lower drawer when upper drawer is open



width	code	
800mm	80-CIDL	
900mm	90-CIDL	
914mm	91-CIDL	
1000mm	10-CIDL	
1067mm	11-CIDL	

Individual drawer lock

Provides additional security for shared units
The lock is located in the centre of the drawer handle recess and locks into both sides of the unit
Can only be specified on drawer sizes 310mm - 434mm (in 31mm increments, 10 - 14 pitches)
Cannot be specified on Receding doors
A Security shelf may be required with this lock (see above)



	code	
	?-ESPL	
	?-ESPL-NF	

see note below

Cupboard door lock - standard in all maineseries31 cupboards

When specifying a cupboard door lock, the first two digits of the code will be the height (in pitches) of the door to be locked.
For example - A lock for 620mm (20 pitch) doors will be 20-ESPL and a lock for 620mm (20 pitch) add 2 doors will be 20-ESPL-NF

Each item include all fixings to install components



Basic shells**Components**

Drawer bodies

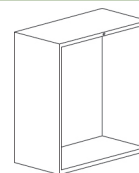
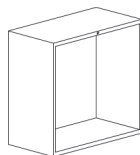
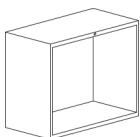
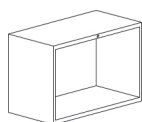
Filler panels

Cupboard fixings

Mainedesign is a unique 'no-front' styling option which allows the creation of custom fronts to be added to Maine units. The custom fronts can be selected in a variety of materials, such as; wood, laminate or fabric. Maine do not supply or fit the custom fronts.

The design of the profile and the handle adds further individuality to the unit, it also allows for furniture to be co-ordinated across the office environment.

Please contact Maine customer services for a set of drawings and guidelines for the specification and manufacture of custom fronts. sales@maine.co.uk



20 pitches accepts internal components to 620mm 682mm external height		25 pitches accepts internal components to 775mm 837mm external height		30 pitches accepts internal components to 930mm 992mm external height		35 pitches accepts internal components to 1085mm 1147mm external height	
width	code	code	code	code	code	code	code
800mm	8020-NF	8025-NF	8030-NF	8035-NF			
900mm	9020-NF	9025-NF	9030-NF	9035-NF			
914mm	9120-NF	9125-NF	9130-NF	9135-NF			
1000mm	1020-NF	1025-NF	1030-NF	1035-NF			

40 pitches accepts internal components to 1240mm 1302mm external height		45 pitches accepts internal components to 1395mm 1457mm external height		52 pitches accepts internal components to 1612mm 1674mm external height		62 pitches accepts internal components to 1922mm 1984mm external height	
width	code	code	code	code	code	code	code
800mm	8040-NF	8045-NF	8052-NF	8062-NF			
900mm	9040-NF	9045-NF	9052-NF	9062-NF			
914mm	9140-NF	9145-NF	9152-NF	9162-NF			
1000mm	1040-NF	1045-NF	1052-NF	1062-NF			

Unit heights above 1457mm must be fitted with ONE of the following (see page 58 for details)

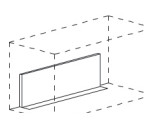
31mm - 1 pitch filler 62mm - 2 pitch filler

Fillers should be fitted as near to the vertical centre of the unit as possible. This rule does not apply to the cupboard units

The basic shell can be fitted with any combination of drawers or cupboard doors, including multi-units (receding doors are not an option). Locks, which are optional, have an extended lock plug to align with custom fronts. Includes 4 levelling glides which provide up to 18mm height adjustment.

Please contact Customer Services for a set of drawings and guidelines for the specification and manufacture of fronts sales@maine.co.uk

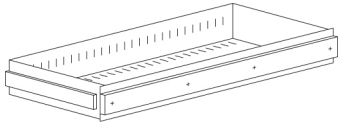
Lock - standard at top of unit add 'L' or optional centre lock add 'CL' Centre locking fillers add 2 pitches - see page 58 for cost of Fillers	
	Code
Standard	add L
Centred	add CL
Cupboard	ESPL-NF

Counter balance weight - (CBW) required for free-standing units under 1023mm high	
	Code
	LF_CBW

For notes specifying Cupboard locks see page ?

Supplied with runners

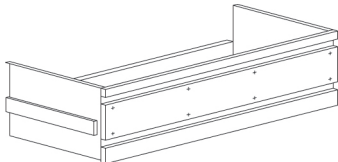
124mm height / 4 pitches



width			
overall	capacity	code	
800mm	718mm	8004-DNF	
900mm	818mm	9004-DNF	
914mm	832mm	9104-DNF	
1000mm	918mm	1004-DNF	

Drawer body
Accepts plate dividers (150-PD)
Accepts drawer fronts 124mm - 248mm (in 31mm increments, 4 - 8 pitches)

279mm height / 9 pitches



width			
overall	capacity	code	
800mm	718mm	8009-DNF	
900mm	818mm	9009-DNF	
914mm	832mm	9109-DNF	
1000mm	918mm	1009-DNF	

Drawer body
Accepts plate dividers (300-PD)
Accepts drawer fronts 279mm - 434mm (in 31mm increments, 9 - 14 pitches)
Accommodates A4 and foolscap sizes and accepts all internal components which should be specified separately

Drawer bodies include all fixings to install components

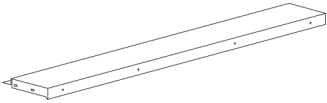
Drawer bodies are roll-out shelves, supplied with a fixing plate to accept custom fronts

Fixing centres for custom fronts are pre-drilled, however, hardware for fitting fronts must be supplied by the manufacturer of the custom fronts

Accessories for drawers (folder bars & dividers) are from the standard range - see pages 46 - 50

Maine do not supply or fit custom fronts. Please contact Customer Services for a set of drawings and guidelines for the specification and manufacture of fronts - sales@maine.co.uk

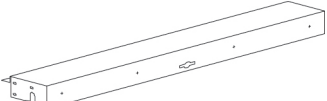
31mm height / 1 pitch



width	code
800mm	8001-FNF
900mm	9001-FNF
914mm	9101-FNF
1000mm	1001-FNF

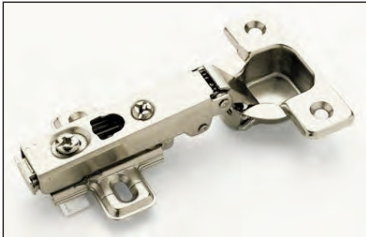
Filler panel
Used in 31mm openings where no insert is required

62mm height / 2 pitch



width	code
800mm	8002-LFNF
900mm	9002-LFNF
914mm	9102-LFNF
1000mm	1002-LFNF

Locking filler panel
Can be used in place of a 62mm filler panel to provide the option of centre locking
Can also be used where centre locking is not required



hinge quantity	code
	CHNF
9 - 34 pitch doors (341mm - 1116mm)	require 2 pairs
35 - 47 pitch doors (1147 - 1519)	require 3 pairs
48 - 67 pitch doors (1550 - 2139mm)	require 4 pairs

Hinges

Hinges for custom door fronts must be supplied by Maine

Fixings for hinges to doors vary depending on materials used and must therefore be supplied by the manufacturer of the custom fronts

Accessories and shelves for cupboards are from the standard range - see pages 46 - 50

Maine do not supply or fit custom fronts. Please contact Customer Services for a set of drawings and guidelines for the specification and manufacture of fronts - sales@maine.co.uk

Efficient, desk-side, secure storage is vital in today's office environment. In addition to traditional under-desk storage and pedestals, Maine have designed ranges of mobile units and tower storage for use close to the workstation.

Maine's innovative combination units comprise a pedestal or tower base with an open unit or tambour unit above the desk height.

Tower units are flexible and secure. Towers can be positioned to the right or left of the desk. Espagnolette 2 point centre locking adds extra security. Adjustable, combination shelves also accommodate hanging files.

Maine's stylish and strong pedestals are supplied mobile and with a fifth wheel, as standard. However a static option is also available.

Maine's convenient desk-side storage can be matched to all standard desk heights.

Combination units

Tower units

Capacities

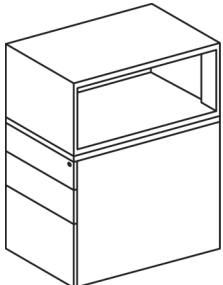
Mobile units

Pedestals

Narrow width

A4 width



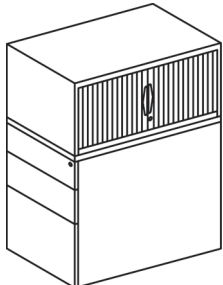


	width	height	code
Base unit	415mm	700mm	CU41P-OTB
Top unit	415mm	496mm	

Base 2 x 150mm box drawers
 1 x 310mm file drawer
 2 point locking system

Desk-side pedestal & open top box

Top 1 x open-fronted unit, suitable for A4 filing

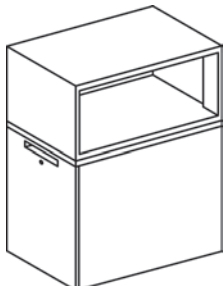


	width	height	code
Base unit	415mm	700mm	CU41P-TTB
Top unit	415mm	496mm	

Base 2 x 150mm box drawers
 1 x 310mm file drawer
 2 point locking system

Desk-side pedestal & tambour top box

Top Side-opening Tambour doors

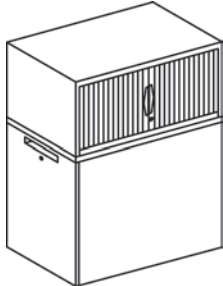


	width	height	code
Base unit	420mm	690mm	CUTU0690-OTB
Top unit	420mm	496mm	

Base 1 Adjustable combination shelf
 2 point locking system

Desk-side tower & open top box

Top 1 x open-fronted unit, suitable for A4 filing



	width	height	code
Base unit	420mm	690mm	CUTU0690-TTB
Top unit	420mm	496mm	

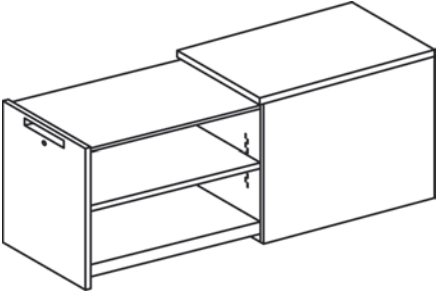
Base 1 Adjustable combination shelf
 2 point locking system

Desk-side tower & tambour top box

Top Side-opening Tambour doors

Please specify left or right hand opening for part of unit- add LH or RH
 Diagrams depict left hand opening

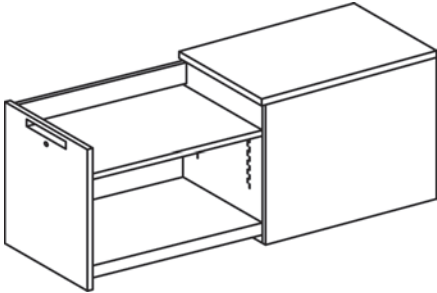
	width	height	code
	420mm	650mm	TU0650-A



Tower unit - type A (internal configuration)

- 1 Desk shelf extension
- 1 Adjustable combination shelf
- 2 Point locking system

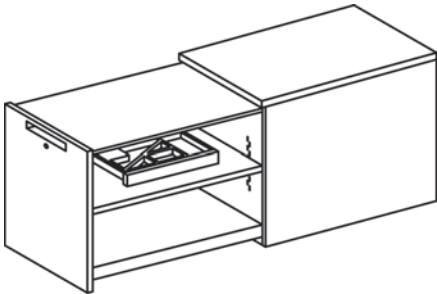
	width	height	code
	420mm	650mm	TU0650-B



Tower unit - type B (internal configuration)

- 1 Adjustable combination shelf
- 2 Point locking system

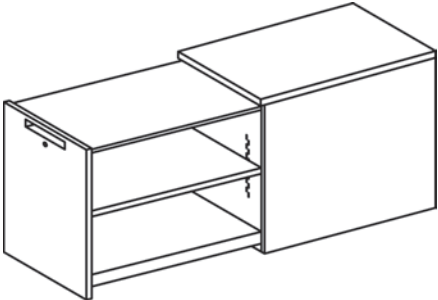
	width	height	code
	420mm	650mm	TU0650-C



Tower unit - type C (internal configuration)

- 1 Desk shelf extension
- 1 Pull-out pen drawer
- 1 Adjustable combination shelf
- 2 Point locking system

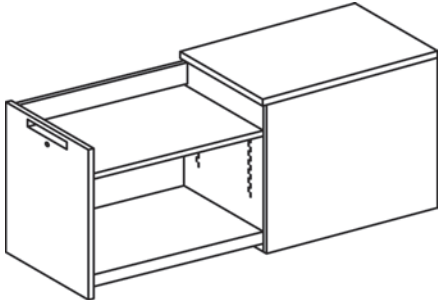
Please specify left or right hand opening - add LH or RH
Diagrams depict left hand opening



width	height	code
420mm	690mm	TU0690-A

Tower unit - type A (internal configuration)

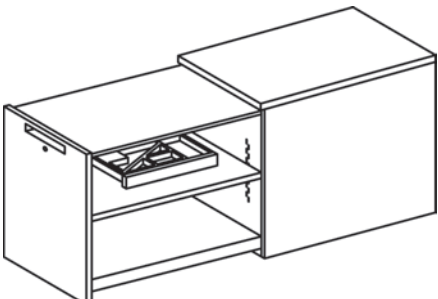
- 1 Desk shelf extension
- 1 Adjustable combination shelf
- 2 Point locking system



width	height	code
420mm	690mm	TU0690-B

Tower unit - type B (internal configuration)

- 1 Adjustable combination shelf
- 2 Point locking system

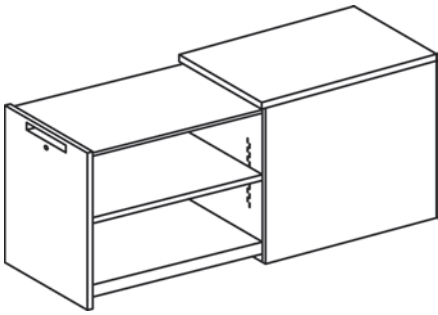


width	height	code
420mm	690mm	TU0690-C

Tower unit - type C (internal configuration)

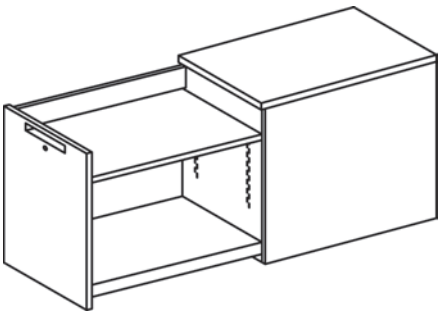
- 1 Desk shelf extension
- 1 Pull-out pen drawer
- 1 Adjustable combination shelf
- 2 Point locking system

Please specify left or right hand opening - add LH or RH
 Diagrams depict left hand opening

	width	height	code	
	420mm	720mm	TU0720-A	

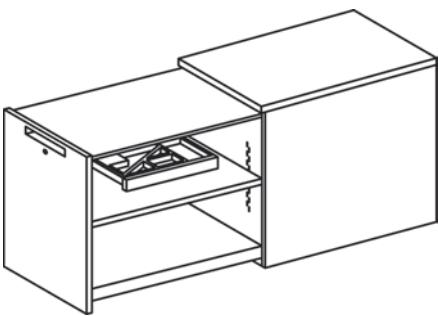
Tower unit - type A (internal configuration)

- 1 Desk shelf extension
- 1 Adjustable combination shelf
- 2 Point locking system

	width	height	code	
	420mm	720mm	TU0720-B	

Tower unit - type B (internal configuration)

- 1 Adjustable combination shelf
- 2 Point locking system

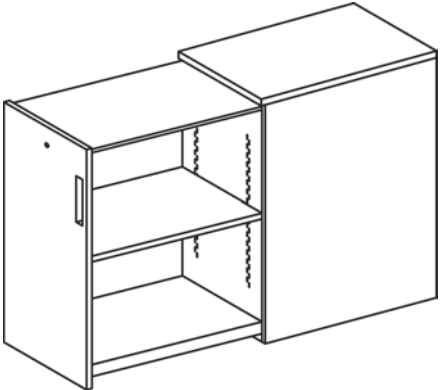
	width	height	code	
	420mm	720mm	TU0720-C	

Tower unit - type C (internal configuration)

- 1 Desk shelf extension
- 1 Pull-out pen drawer
- 1 Adjustable combination shelf
- 2 Point locking system

Please specify left or right hand opening - add LH or RH
 Diagrams depict left hand opening

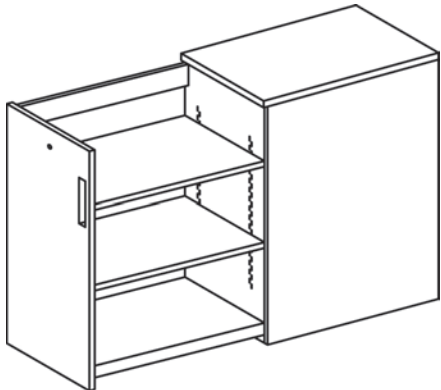
width	height	code
420mm	1085mm	TU1085-A



Tower unit - type A (internal configuration)

- 1 Adjustable combination shelf
- 2 Point locking system

width	height	code
420mm	1085mm	TU1085-B

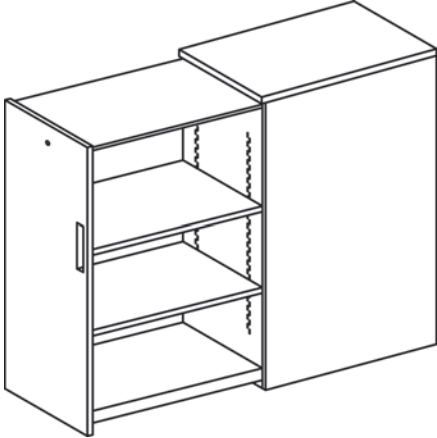


Tower unit - type B (internal configuration)

- 2 Adjustable combination shelves
- 2 Point locking system

Please specify left or right hand opening - add LH or RH
 Diagrams depict left hand opening

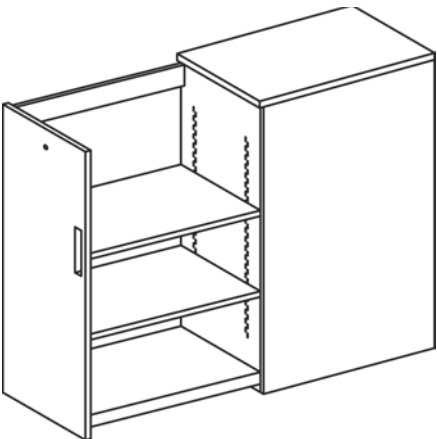
width	height	code
420mm	1302mm	TU1302-A



Tower unit - type A (internal configuration)

2 Adjustable combination shelves
2 Point locking system

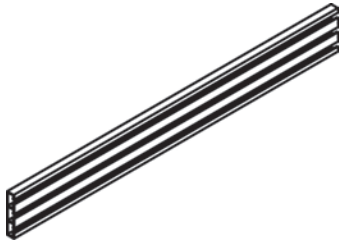
width	height	code
420mm	1302mm	TU1302-B



Tower unit - type B (internal configuration)

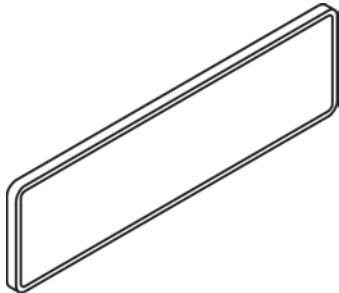
2 Adjustable combination shelves
2 Point locking system

Please specify left or right hand opening - add LH or RH
Diagrams depict left hand opening



width	height	code
700mm	82mm	TU-TR

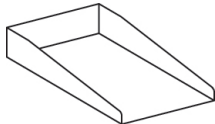
Hanging tool rail



width	height	code
715mm	90mm	TU-PB90
725mm	235mm	TU-PB235
725mm	450mm	TU-PB450

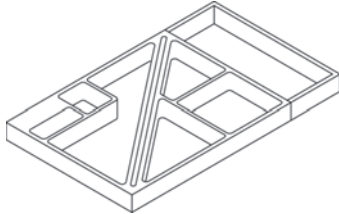
Pin board

Pin boards are made of wood fibre and covered in cotton



code
TU-A4PT

A4 Paper tray

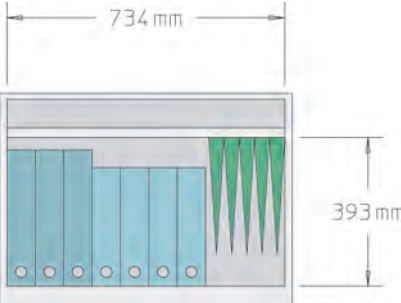


code
41-PT

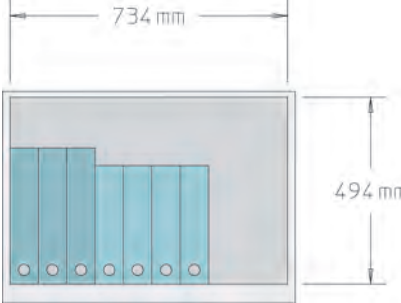
Pen tray

For use in pull-out pen drawer

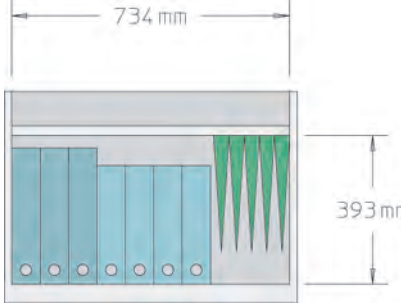
650mm high unit



Carriage Type A

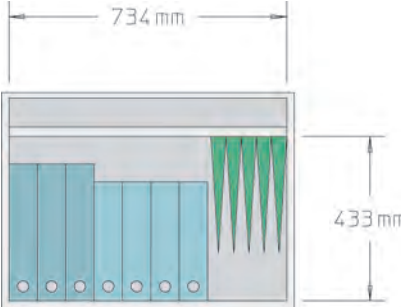


Carriage Type A

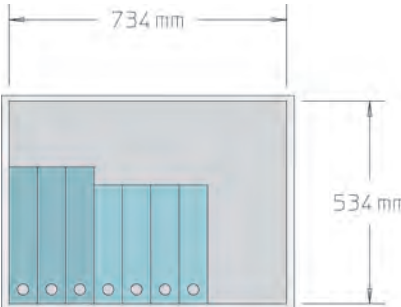


Carriage Type B

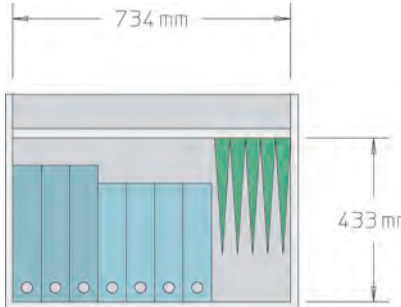
690mm high unit



Carriage Type A

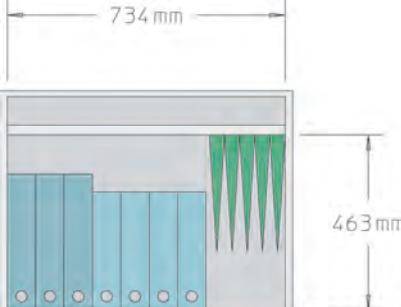


Carriage Type A

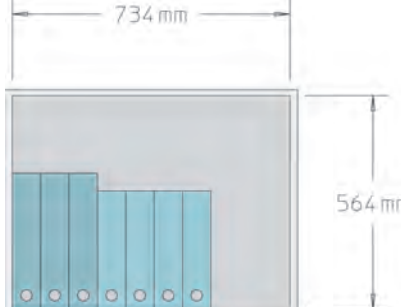


Carriage Type B

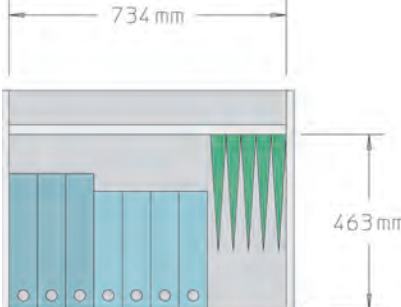
720mm high unit



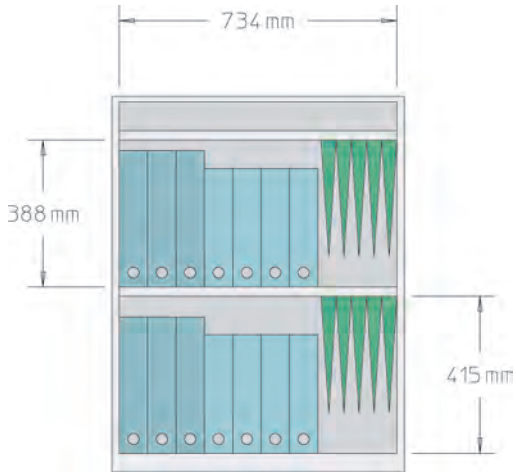
Carriage Type A



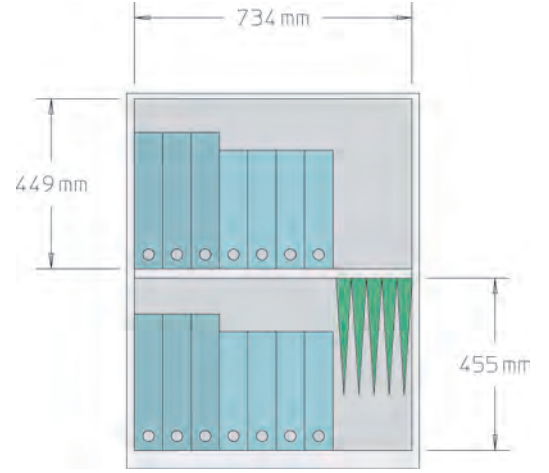
Carriage Type A



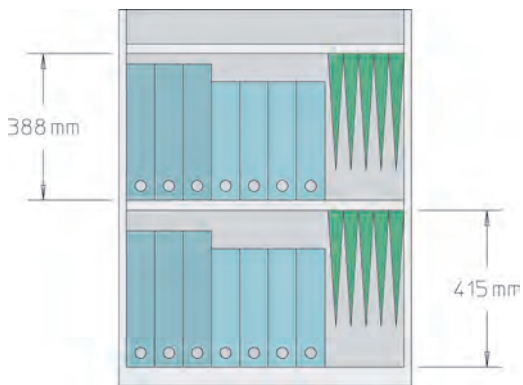
Carriage Type B



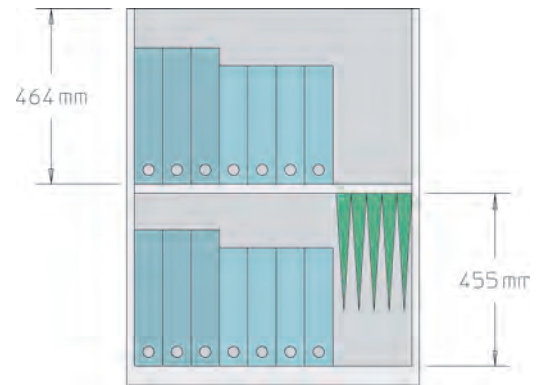
Carriage Type A



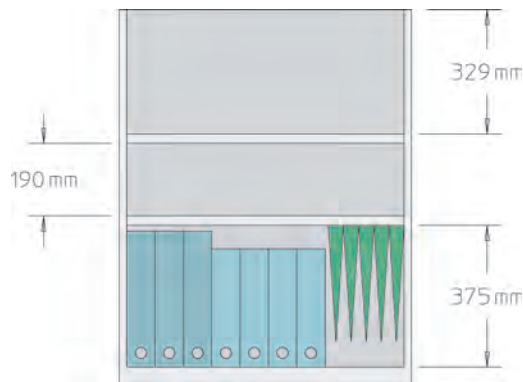
Carriage Type A



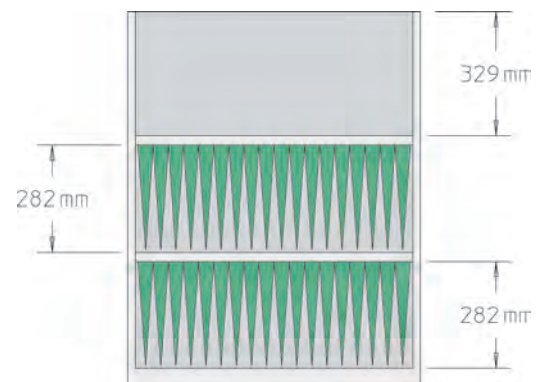
Carriage Type B



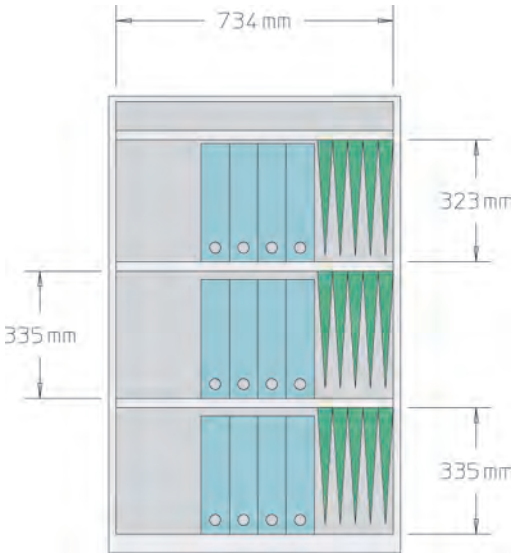
Carriage Type B



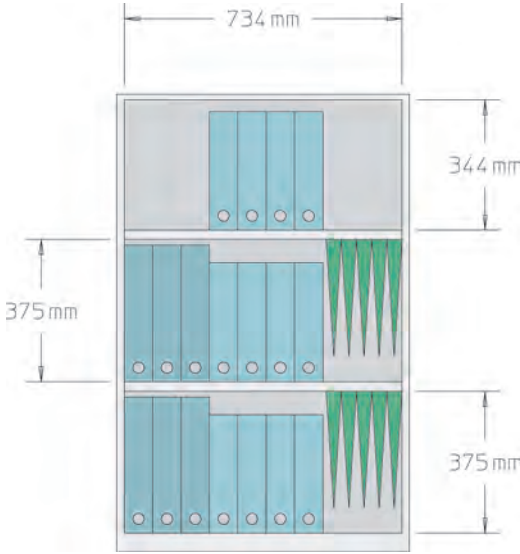
Carriage Type B



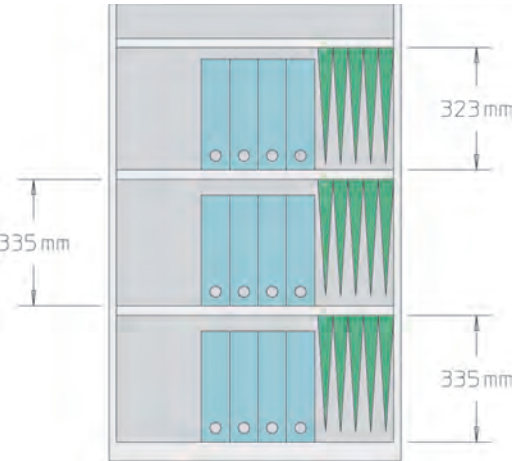
Carriage Type B



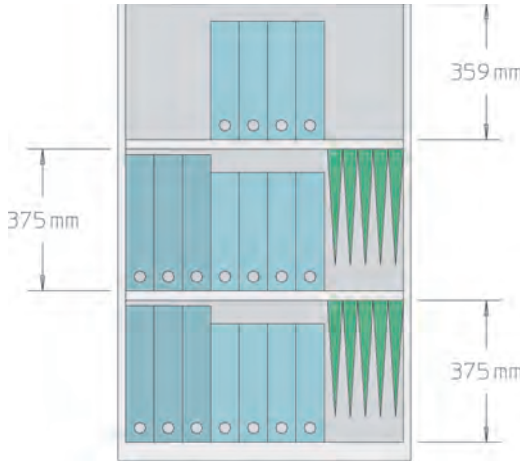
Carriage Type A



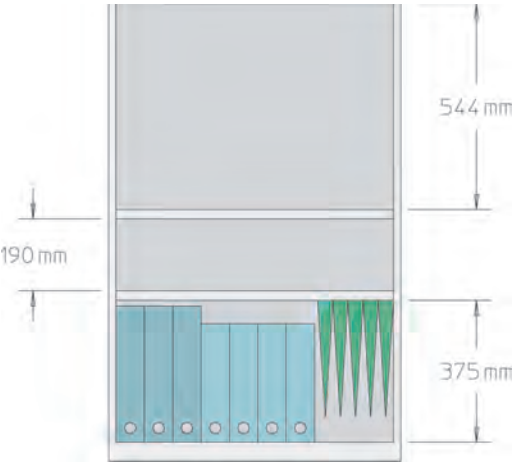
Carriage Type A



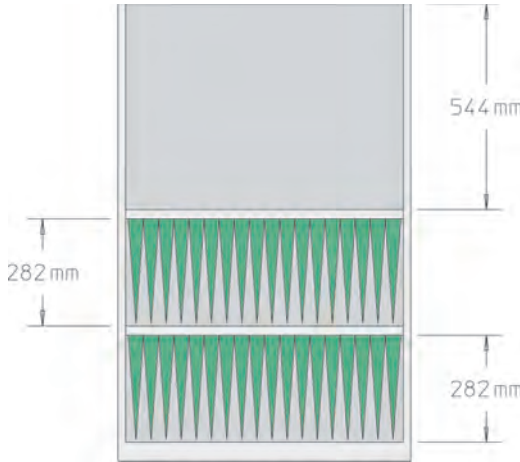
Carriage Type B



Carriage Type B

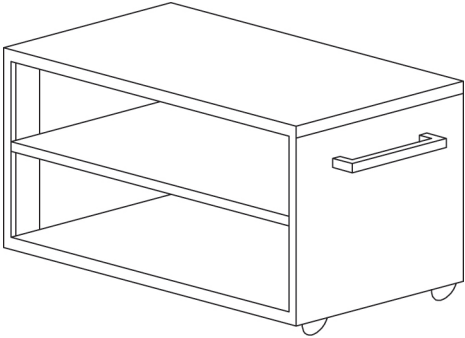


Carriage Type B



Carriage Type B

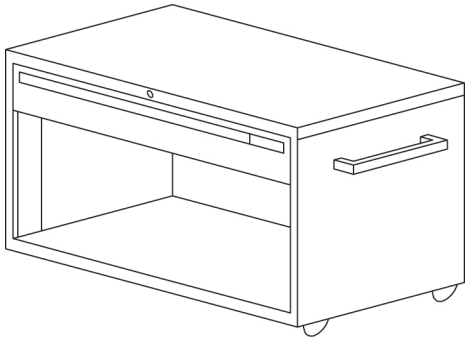
width	height	height with castors	code
800mm	527mm	587mm	M/O/UD8015BS(P)/POH



Mobile unit - open

External handles on side of unit
1 Adjustable shelf
Castors fitted as standard

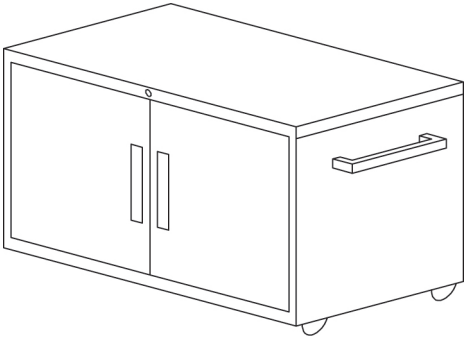
width	height	height with castors	code
800mm	527mm	587mm	M/SD/UD8015L/POH/CBW



Mobile unit - open with stationery drawer

External handles on side of unit
1 x 124mm stationery drawer - with lock
Counterbalance weight
Castors fitted as standard

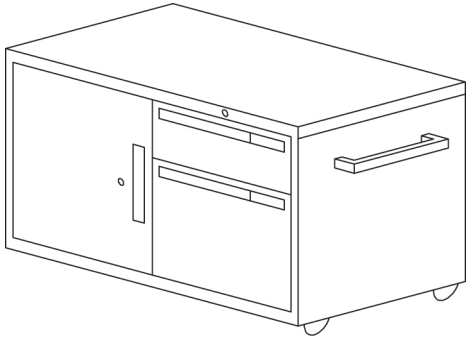
width	height	height with castors	code
800mm	527mm	587mm	M/CU/UD8015ESPL/BS/POH



Mobile cupboard

External handles on side of unit
1 Adjustable shelf
Fitted with lock
Castors fitted as standard

width	height	height with castors	code
800mm	527mm	587mm	SM/RH/BF/CU/UD8015ESPL/L/POH

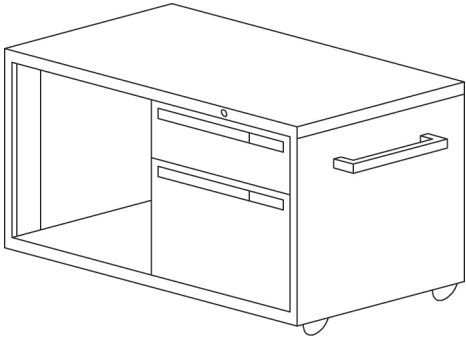


Mobile unit - cupboard/drawers

Drawing and code indicate drawers on the right, can be specified with drawers on the left (change code from RH to LH)

External handles on side of unit
1 Adjustable shelf in cupboard
1 x 155mm drawer
1 x 310mm drawer with file bars
Fitted with locks
Castors fitted as standard

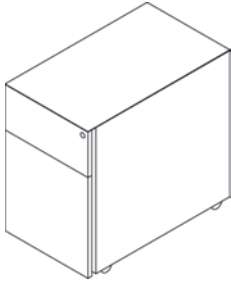
width	height	height with castors	code
800mm	527mm	587mm	SM/RH/BF/O/UD8015L/POH

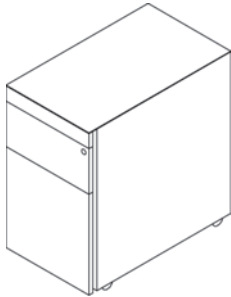


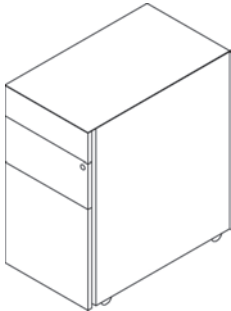
Mobile unit - open/drawers

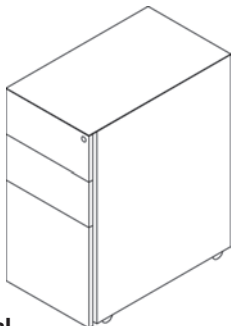
Drawing and code indicate drawers on the right, can be specified with drawers on the left (change code from RH to LH)

External handles on side of unit
1 Adjustable shelf in cupboard
1 x 155mm drawer
1 x 310mm drawer with file bars
Fitted with lock
Castors fitted as standard

	width	height	code
	315mm	500mm	M3150BF
<p>Pedestal</p> <ul style="list-style-type: none"> 1 Box drawer 1 Filing drawer + file bar Recessed side pull handle Slim metal top Lock Mobile 			

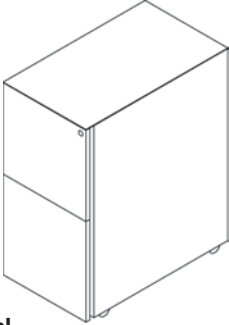
	width	height	code
	315mm	550mm	M3155PBF
<p>Pedestal</p> <ul style="list-style-type: none"> 1 Pen tray 1 Box drawer 1 Filing drawer + file bar Recessed side pull handle Slim metal top Lock Mobile 			

	width	height	code
	315mm	600mm	M3160SBF
<p>Pedestal</p> <ul style="list-style-type: none"> 1 Stationery drawer 1 Box drawer 1 Filing drawer + file bar Recessed side pull handle Slim metal top Lock Mobile 			

	width	height	code
	315mm	650mm	M3165BBF
<p>Pedestal</p> <ul style="list-style-type: none"> 2 Box drawers 1 Filing drawer + file bar Recessed side pull handle Slim metal top Lock Mobile 			


All units are mobile and include a lock
 For the static option replace the 'M' in the code with 'S'

540mm depth

	width	height	code
	315mm	650mm	M3165FF


Pedestal

- 2 Filing drawers + file bars
- Recessed side pull handle
- Slim metal top
- Lock
- Mobile

	code
	31-PT

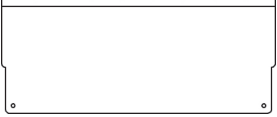
Pen tray

Fits narrow width pedestal

	code
	3115-PD

Shallow divider

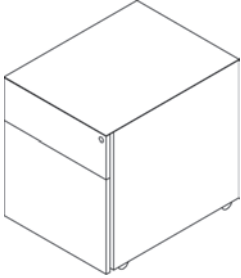
Fits box drawer

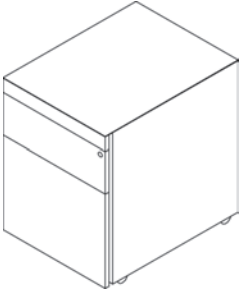
	width	height	code
	315mm	500mm	3130-PD

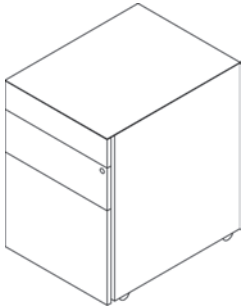
Deep divider

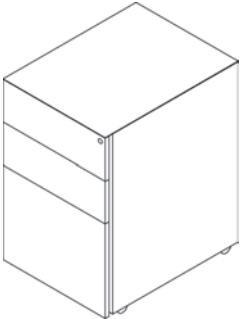
Fits file drawer

All units are mobile and include a lock
 For the static option replace the 'M' in the code with 'S'

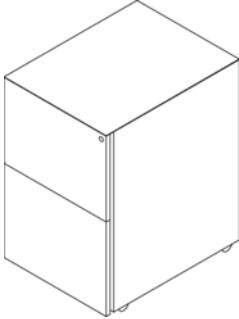
	width	height	code
	415mm	500mm	M4150BF
Pedestal	1 Box drawer 1 Filing drawer + file bar Recessed side pull handle Slim metal top Lock Mobile		

	width	height	code
	415mm	550mm	M4155PBF
Pedestal	1 Pen tray 1 Box drawer 1 Filing drawer + file bar Recessed side pull handle Slim metal top Lock Mobile		

	width	height	code
	415mm	600mm	M4160SBF
Pedestal	1 Stationery drawer 1 Box drawer 1 Filing drawer + file bar Recessed side pull handle Slim metal top Lock Mobile		

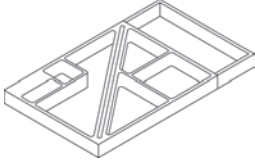
	width	height	code
	415mm	650mm	M4165BBF
Pedestal	2 Box drawers 1 Filing drawer + file bar Recessed side pull handle Slim metal top Lock Mobile		

All units are mobile and include a lock
 For the static option replace the 'M' in the code with 'S'

	width	height	code
	415mm	650mm	M4165FF

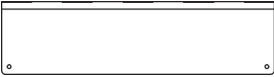
Pedestal

- 2 Filing drawers + file bars
- Recessed side pull handle
- Slim metal top
- Lock
- Mobile

	code
	41-PT

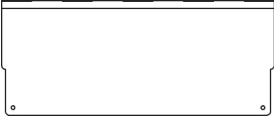
Pen tray

Fits A4 width pedestal

	code
	4115-PD

Shallow divider

Fits box drawer

	code
	4130-PD

Deep divider

Fits file drawer

All units are mobile and include a lock
 For the static option replace the 'M' in the code with 'S'



Cube Lockers

Multi-unit lockers

Team storage

Coat cupboard & locker

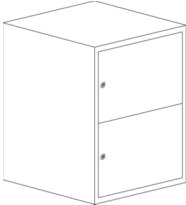
Maine lockers are designed to be secure and stylish, for use in all office environments including prominent reception areas.

Lockers can be ganged together or stacked vertically to create a wall of lockers which is aesthetic and stable. Lockers can also be stacked above and ganged together with maineseries31 and mainstream product ranges, including lateral files and standard cupboards.



Internal height 620mm / 20 pitches


width	external height	code
457mm	682mm	20-2TL



Two tier locker
Two locks included, doors can open on left or right hand side, add LH or RH

Internal height 930mm / 30 pitches


width	external height	code
457mm	992mm	30-3TL



Three tier locker
Three locks included, doors can open on left or right hand side, add LH or RH

Internal height 1240mm / 40 pitches


width	external height	code
457mm	1302mm	40-4TL



Four tier locker
Four locks included, doors can open on left or right hand side, add LH or RH

Individual locker units can be ganged side-to-side or stacked vertically to create banks of lockers
Right hand unit is illustrated

Internal height 620mm / 20 pitches




width	external height	code
800mm	682mm	8020-LRL
900mm	682mm	9020-LRL
1000mm	682mm	1020-LRL

4 Door locker

Locks
Rpt lock fitted as standard

Optional locks
Combination lock
Posting slot

Internal height 930mm / 30 pitches




width	external height	code
800mm	992mm	8030-LRL
900mm	992mm	9030-LRL
1000mm	992mm	1030-LRL

6 Door locker

Locks
Rpt lock fitted as standard

Optional locks
Combination lock
Posting slot

Internal height 1023mm / 33 pitches



width	external height	code
800mm	1085mm	8033-LRL
900mm	1085mm	9033-LRL
1000mm	1085mm	1033-LRL

6 Door locker
Doors on this unit are 341mm high

Locks
Rpt lock fitted as standard

Optional locks
Combination lock
Posting slot

Internal height 1240mm / 40 pitches



8 Door locker

width	external height	code
800mm	1302mm	8040-LRL
900mm	1302mm	9040-LRL
1000mm	1302mm	1040-LRL

Locks

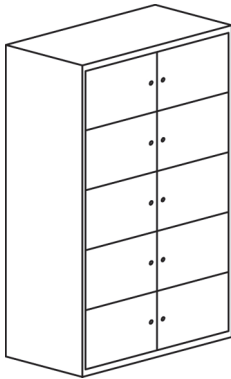
Rpt lock fitted as standard

Optional locks

Combination lock

Posting slot

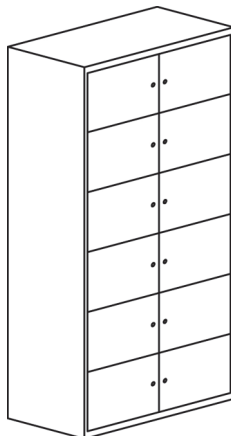
Internal height 1550mm / 50 pitches



10 Door locker

width	external height	code
800mm	1612mm	8050-LRL
900mm	1612mm	9050-LRL
1000mm	1612mm	1050-LRL

Internal height 1860mm / 60 pitches

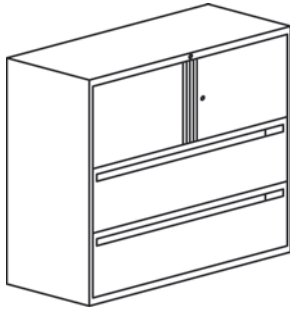


12 Door locker

width	external height	code
800mm	1922mm	8060-LRL
900mm	1922mm	9060-LRL
1000mm	1922mm	1060-LRL



1085mm height / 457mm depth

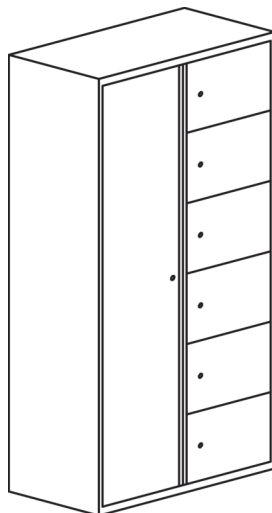


Team storage

width	code
800mm	TS8033
1000mm	TS1033

2 Individual lockers, 403mm high
2 drawers - 310mm / 10 pitches high, with folder bars

1922mm height / 500mm deep



Coat cupboard & 6 lockers

width	code
800mm	8060-CC-LRL
1000mm	1060-CC-LRL

Note for Codes

Right hand unit illustrated

Right hand unit codes are as above

Left hand unit codes are

8060-CC-RLL

1060-CC-RLL

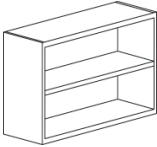
Coat cupboard 500mm deep
6 individual lockers
Lockers/door can be on the right or left

Maine bookcases are designed to complement maineseries31 and mainstream product ranges. Bookcases can also be stacked above or ganged together with maineseries31 and mainstream products, to create a streamlined, stylish office environment.



Bookcases

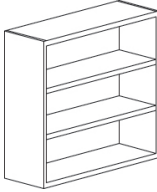
Internal height 620mm / 20 pitches



width	depth	height	code
800mm	300mm	682mm	8020-BC
1000mm	300mm	682mm	1020-BC

Bookcase
One shelf included

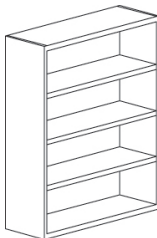
Internal height 930mm / 30 pitches



width	depth	height	code
800mm	300mm	992mm	8030-BC
1000mm	300mm	992mm	1030-BC

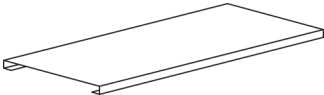
Bookcase
Two shelves included

Internal height 1240mm / 40 pitches



width	depth	height	code
800mm	300mm	1302mm	8040-BC
1000mm	300mm	1302mm	1040-BC

Bookcase
Three shelves included



overall	capacity			
width	width	depth	height	code
800mm	760mm	294mm	25mm	80-BSBC
1000mm	960mm	294mm	25mm	10-BSBC

Shelves
All shelves are finished in the same colour as the basic shell
Shelves include all fixings required to install the components

Capacities for A4 filing

Capacities for foolscap filing

Multi-media filing

Drawer capacities


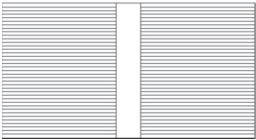
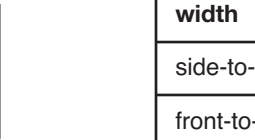

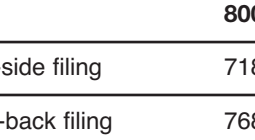

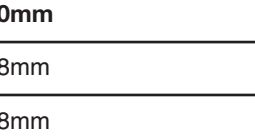

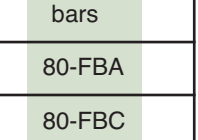

Vertical capacities

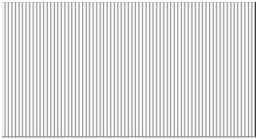
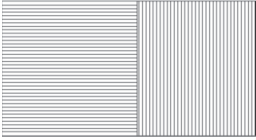
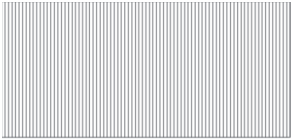
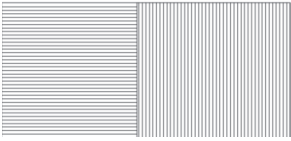





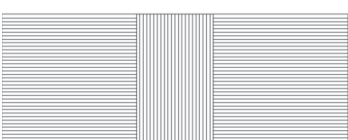
Filing clearance heights

Paper sizes

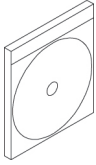
Filing & retrieval

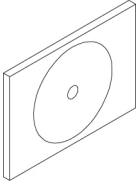


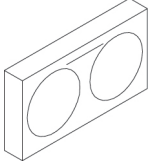
 	width 800mm bars
	side-to-side filing 718mm 80-FBA
	front-to-back filing 768mm 80-FBC
 	width 900mm bars
	side-to-side filing 818mm 90-FBA
	front-to-back filing 768mm 90-FBC
 	width 914mm bars
	side-to-side filing 832mm 91-FBA
	front-to-back filing 768mm 91-FBC
 	width 1000mm bars
	side-to-side filing 918mm 10-FBA
	front-to-back filing 768mm 10-FBC
 	width 1067mm bars
	side-to-side filing 985mm 11-FBA
	front-to-back filing 1152mm 11-FFM

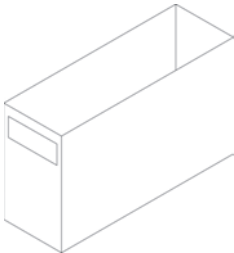
	width	800mm	bars
	side-to-side filing	718mm	80-FBA
	front-to-back filing	702mm	80-FBB
			
	width	900mm	bars
	side-to-side filing	818mm	90-FBA
	front-to-back filing	802mm	90-FBB
			
	width	914mm	bars
	side-to-side filing	832mm	91-FBA
	front-to-back filing	768mm	91-FBB
			
	width	1000mm	bars
	side-to-side filing	918mm	10-FBA
	front-to-back filing	854mm	10-FBB
			
	width	1067mm	bars
	side-to-side filing	985mm	11-FBA
	front-to-back filing	927mm	11-FBB
			

Media size may vary between manufacturers

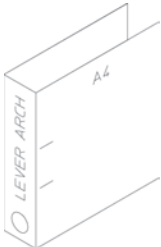
 <p>CD filing Media size 125mm (width) x 143mm (height) x 10mm (depth) Capacities are for 5 - 8 pitch drawers (155mm - 248mm)</p>	drawer width	cd capacity
	800mm	5 rows - 195
	900mm	5 rows - 195
	914mm	6 rows - 234
	1000mm	7 rows - 273
	1067mm	7 rows - 273

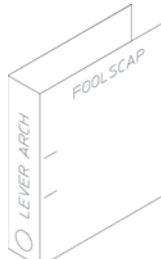
 <p>DVD filing Media size 190mm (width) x 105mm (height) x 15mm (depth) Capacities are for 5 - 8 pitch drawers (155mm - 248mm)</p>	drawer width	dvd capacity
	800mm	3 rows - 78
	900mm	3 rows - 78
	914mm	4 rows - 104
	1000mm	4 rows - 104
	1067mm	5 rows - 130

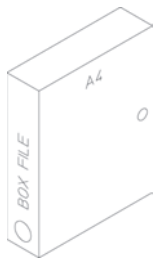
 <p>Video filing Media size 190mm (width) x 105mm (height) x 27mm (depth) Capacities are for 4 - 8 pitch drawers (124mm - 248mm)</p>	drawer width	video capacity
	800mm	3 rows - 42
	900mm	3 rows - 42
	914mm	4 rows - 56
	1000mm	4 rows - 56
	1067mm	5 rows - 70

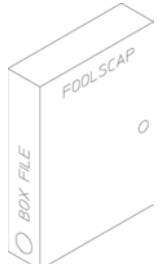
 <p>Top access box filing Media size 323mm (width) x 220mm (height) x 95mm (depth) Capacities are for 8- 14 pitch drawers (248mm - 434mm)</p>	drawer width	top access box capacity
	800mm	2 rows - 8
	900mm	2 rows - 8
	914mm	2 rows - 8
	1000mm	2 rows - 8
	1067mm	3 rows - 12

Media size may vary between manufacturers

 <p>A4 lever arch Media size 290mm (width) x 317mm (height) x 75mm (depth) Capacities are for 10 - 14 pitch drawers (310mm - 434mm)</p>	drawer width	A4 lever arch capacity
	800mm	1 row - 9
	900mm	1 row - 10
	914mm	1 row - 11
	1000mm	1 row - 12
	1067mm	1 row - 13

 <p>Foolscap lever arch Media size 290mm (width) x 350mm (height) x 75mm (depth) Capacities are for 10 - 14 pitch drawers (310mm - 434mm)</p>	drawer width	foolscap lever arch capacity
	800mm	1 row - 9
	900mm	1 row - 10
	914mm	1 row - 11
	1000mm	1 row - 12
	1067mm	1 row - 13

 <p>A4 box file Media size 265mm (width) x 337mm (height) x 75mm (depth) Capacities are for 10 - 14 pitch drawers (310mm - 434mm)</p>	drawer width	A4 box file capacity
	800mm	1 row - 9
	900mm	1 row - 10
	914mm	1 row - 11
	1000mm	1 row - 12
	1067mm	1 row - 13

 <p>Foolscap box file Media size 265mm (width) x 370mm (height) x 75mm (depth) Capacities are for 10 - 14 pitch drawers (310mm - 434mm)</p>	drawer width	foolscap box file capacity
	800mm	1 row - 9
	900mm	1 row - 10
	914mm	1 row - 11
	1000mm	1 row - 12
	1067mm	1 row - 13

Media size may vary between manufacturers

<p>A4 lever arch Media size 290mm (width) x 317mm (height) x 75mm (depth)</p>	unit width	A4 lever arch per shelf
	800mm	10
	900mm	11
	914mm	11
	1000mm	12
	1067mm	13

<p>Foolscap lever arch Media size 290mm (width) x 350mm (height) x 75mm (depth)</p>	unit width	foolscap lever arch per shelf
	800mm	10
	900mm	11
	914mm	11
	1000mm	12
	1067mm	13

<p>A4 box file Media size 265mm (width) x 337mm (height) x 75mm (depth)</p>	unit width	A4 box file per shelf
	800mm	10
	900mm	11
	914mm	11
	1000mm	12
	1067mm	13

<p>Foolscap box file Media size 265mm (width) x 370mm (height) x 75mm (depth)</p>	unit width	foolscap box file per shelf
	800mm	10
	900mm	11
	914mm	11
	1000mm	12
	1067mm	13

Receding doors

All dimensions are from the front raised edge of Roll-out shelf to the underside of the Receding door in the open position.
It may be possible to install more than one internal component behind a Receding door.

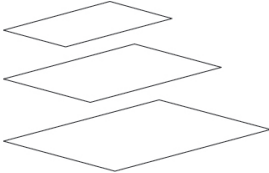
opening heights	Roll-out shelf 124mm	Roll-out shelf 279mm	Fixed drawer-body 124mm	Fixed drawer-body 279mm	Slotted shelf	Blank shelf	Thin shelf
124mm	N/A	N/A	N/A	N/A	N/A	72mm	87mm
155mm	122mm	N/A	115mm	N/A	N/A	103mm	118mm
186mm	152mm	N/A	146mm	N/A	134mm	134mm	149mm
217mm	183mm	N/A	177mm	N/A	165mm	165mm	180mm
248mm	214mm	N/A	213mm	N/A	196mm	196mm	211mm
279mm	119/122mm	243mm*	104/120mm	N/A	227mm	227mm	242mm
310mm	150/122mm	274mm	135/120mm	268mm	258mm	258mm	273mm
341mm	181/122mm	305mm	135/151mm	299mm	289mm	289mm	304mm
372mm	181/153mm	336mm	150/160mm	330mm	320mm	320mm	335mm
403mm	181/184mm	367mm	165/177mm	361mm	351mm	351mm	366mm
434mm	181/215mm	398mm	180/172mm	392mm	382mm	382mm	397mm

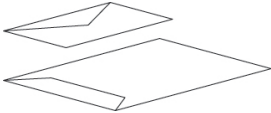
* Folder bars cannot be used on a 279mm Roll-out shelf positioned behind a 279mm Receding door

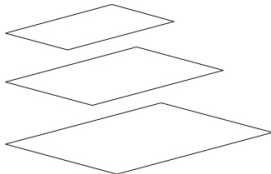
Drawers

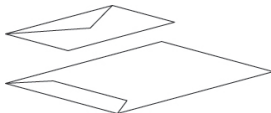
Drawer height	124mm	155mm	186mm	217mm	248mm	279mm	310mm	341mm	372mm	403mm	434mm
Vertical clearance height	114mm	145mm	176mm	207mm	238mm	263mm	294mm	325mm	356mm	387mm	418mm

1 inch = 2.54cm 1cm = 0.3937 inch

 <p>European paper</p>	European paper type	size
	A6	105mm x 148mm
	A5	148mm x 210mm
	A4	210mm x 297mm
	A3	297mm x 420mm
	A2	420mm x 594mm
	A1	594mm x 841mm
	A0	841mm x 1189mm
	Foolscap	210mm x 330mm

 <p>European envelope</p>	European envelope type	size
	C4 Holds an A4 sheet unfolded	229mm x 324mm
	C5 Holds an A4 sheet folded twice or an A5 sheet unfolded	162mm x 229mm
	DL Holds an A4 sheet folded twice or an A5 sheet folded once	110mm x 220mm

 <p>US paper</p>	US paper type	size
	Junior legal	127mm x 203mm
	Executive	190mm x 254mm
	Letter	216mm x 279mm
	Legal	216mm x 356mm
	Ledger / tabloid	279mm x 432mm

 <p>US envelope</p>	US envelope type	size
	No 9	98mm x 225mm
	No 10	105mm x 241mm
	No 14	127mm x 292mm

Maine has an experienced, storage and filing team, who can undertake a detailed filing and retrieval audit. A full review of document management and media storage and filing is analysed. This service is utilised by architectural practices, designers and clients in order to create the most efficient and cost effective storage and filing solution.

Maine's modular design allows for units to be ganged and stacked together across all their product ranges, this can create an effective and efficient use of space.

Maine's units can accommodate heavy loading capacities, in excess of figures quoted by major competitors. Maine units are tested to the highest performance levels.





Manufactured in the UK

Environmental & Sustainable Policies

Warranty & Quality standards

Glossary

Contact details

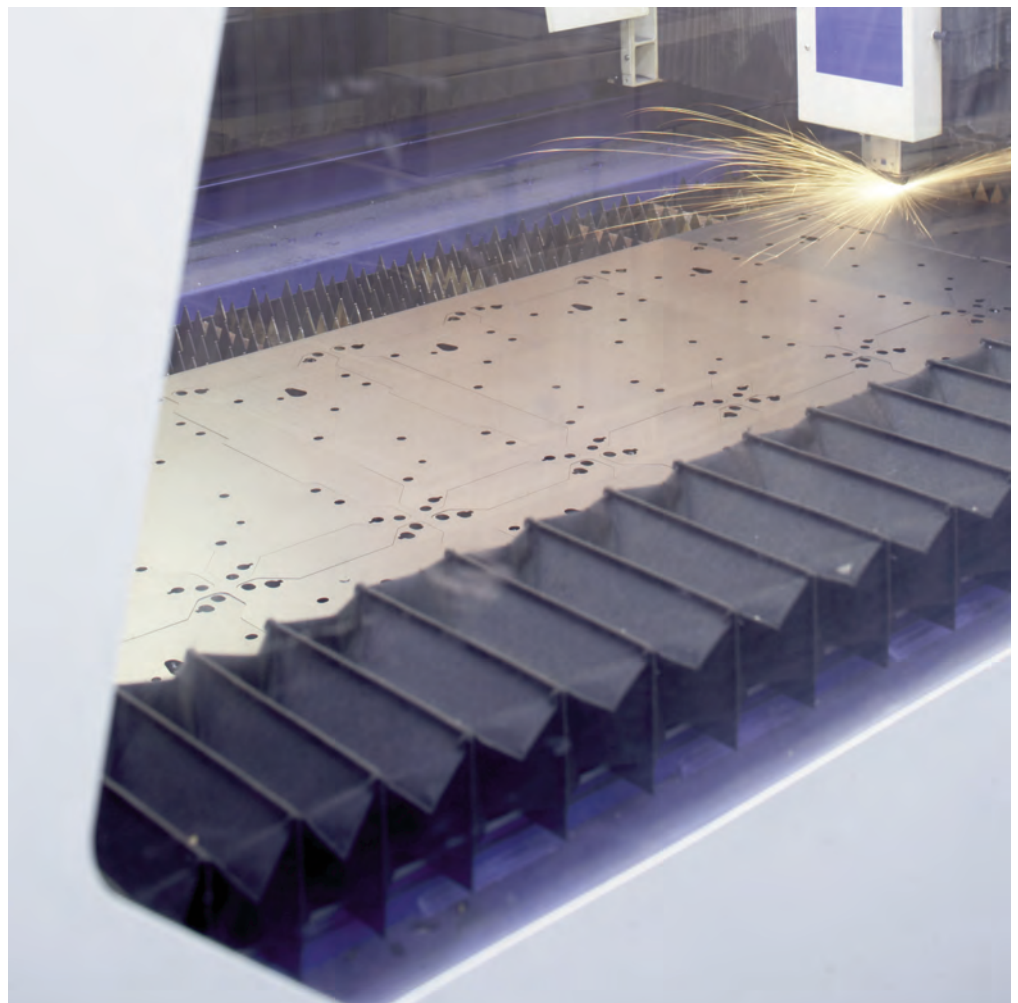
Innovation & engineering excellence

Maine's advanced technology and experienced product design team enable the creation of design-led, efficient, space-saving solutions for the workplace. Maine are dedicated to the process of environmental improvement and responsibility whilst providing customers with leading-edge solutions that use innovative processes and demonstrate continual improvement in all business activities.

Maine Storage & Filing is owned by Milton Keynes Pressings Ltd (MKP), based in Bletchley, Buckinghamshire. MKP is a globally respected manufacturer renowned for their high profile first-tier automotive contracts with General Motors, Aston Martin and Bentley, winning the Queen's award for Export in 2001.

The Bletchley plant has 80,000 sq ft of production space and uses the most advanced industry production methods and latest technology, such as laser cutting equipment, which creates the flexibility to change dimensions of parts quickly. Maine has one of the most flexible manufacturing processes in the industry and can deliver products faster than standard industry lead times.

Maine has a continuous programme of improvement and innovation not only in manufacturing excellence and product design but also in their commitment to the environment.



Maine are dedicated to the process of environmental improvement and responsibility and this is reflected in the company's environmental certification BS EN ISO 14001: 2004 Environmental Management System. Maine are registered with BSI and have recently worked with the carbon Trust to implement further improvement changes to our Operations.

Maine has ISO 9001 accreditation and is committed to providing customers leading edge solutions that use innovative processes and demonstrate continual improvement in all business activities. We monitor and adhere to all relevant regulations, codes of practice and customer requirements. We maintain and continually update systems and procedures to ensure that we comply with legislation and other requirements.

The Raw Material

97% of Maine storage is made from steel supplied by Corus - a British company with a strong environmental record. Steel is 100% recyclable and with 40% of all steel production currently being recycled it is the world's most recycled material. It can be recycled again and again without any degradation in terms of properties and performance and the recycling process, which involves re-melting of scrap, uses around on third of the energy required to produce steel from primary sources. The steel parts that make up our storage units are produced with high-laser cutting machinery, a precise process that ensures minimal waste.

The Finish

Powder Coating is a more environmentally friendly process than solvent based wet-paint systems as the process avoids the use of solvents. The powder coating process is carried out within self-contained powder spray booths with full reclaim facilities, eliminating the escape of powder particles to the environment, reducing both the quantity of powder required and waste powder on completion of individual contracts.

Carbon Footprint

Maine recognised at an early stage that all manufacturing processes have a direct effect on the environment. Energy use from businesses in the UK account for over 40% of GHG (Green House Gasses) and we are committed to playing our part in reducing our percentage, we are actively making efforts to reduce this in years to come through our Environmental Continuous Improvement Programme. In order to reduce our own carbon footprint we have analysed our own carbon footprint of our products and manufacturing processes using an analysis model produced and endorsed by BCFA (British Contract Furniture Association).

The environment concerns us all. Working together we can ensure a safer world for future generation.

Maine's manufacturing facilities are accredited to BS EN 9001: 2000 which is a reflection of our dedicated approach to quality.

Maine's storage products are certified to the highest British Standard tests for strength and stability, our accreditations include:

BS 4875 part 7, test level 4

ISO 7170 test level 4

BS 4875 part 8

BS 5459 part 1

BS EN 14073-2: 2004 part 2

BS EN 14074: 2004 part 3 (runners / glides)

BS 5459 - 3 1983 FIRA (Furniture Industry Research Association)

Maine products have a 15 year manufacturer's warranty and this underwrites both product quality and commitment to continuity of supply, which with the company's ability to modify during manufacture, makes Maine the leading provider of storage solutions in the UK.



The weight fixed to the inside of a unit to provide additional stability when fully loaded.	Counterbalance weight
The lock plug which has metal wafers (bits) on both sides of the channel into which the keys fits and its corresponding key which has teeth on both sides of it's blade. The double-bit system provides greater security.	Double-bit lock
The panel which is incorporated into a unit to complete the available filing height when no insert is required, or available. Fillers (2 pitch - 62mm) are required when a centre lock is specified.	Filler panel
The unobstructed available height of filing or storage within a drawer or on a shelf.	Filing clearance height
The pair of supports that fit into a roll-out shelf or drawer and suspend files and computer print-outs. These are available for side-to-side and front-to-back filing.	Folder bars
The bolting together of units when installed side-to-side, making each unit stable.	Ganging
Adjustable feet which screw into the bottom of a unit base, adjusting the level and height of a unit. Fitted as standard.	Levelling glides
The safety mechanism fitted into all units to prevent the opening of more than one drawer at a time and the possibility of the unit tipping, sometimes referred to as an anti-tilt mechanism.	Interlock mechanism
The working dimension, which may vary from the dimension shown on the drawing.	Nominal size
The pitch is the 31mm height increment in every filing unit. The internal capacity of a unit or opening may be quoted in 'pitches'.	Pitch
A horizontal extendable shelf incorporated into a unit within a 2 pitch (62mm) opening in place of a filler to provide a work surface.	Posting shelf
A door which opens from the bottom and recedes into the unit horizontally, sometimes referred to as a 'flipper door'.	Receding door
The support and roller mechanisms on which a roll-out shelf or drawer operates, sometimes called 'slides or suspensions'.	Runners
Maine are accredited with the quality approval level for BS EN ISO 9001.	Quality standard

maine storage & filing

40 Barton road, Water Eaton Industrial Estate

Milton Keynes MK2 3LJ England

T. 01908 271688 F. 01908 625568

sales@maine.co.uk www.maine.co.uk

